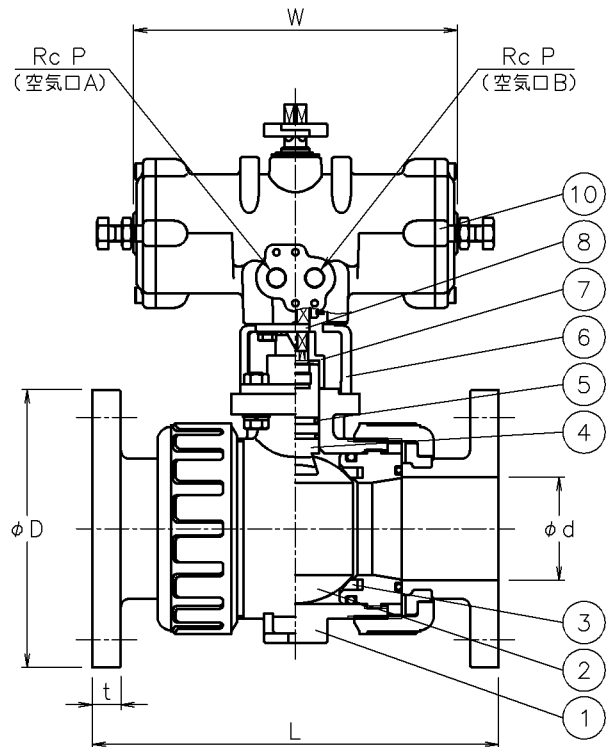
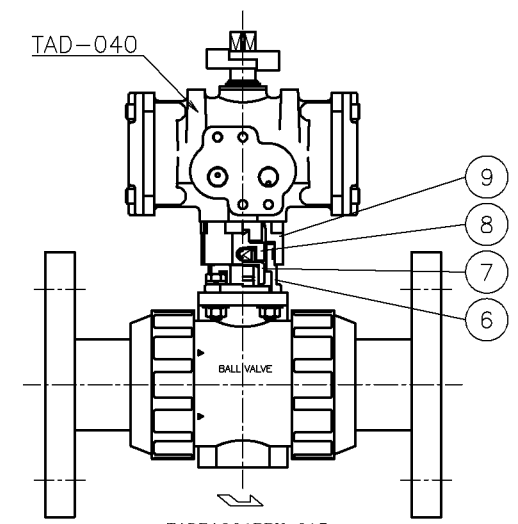
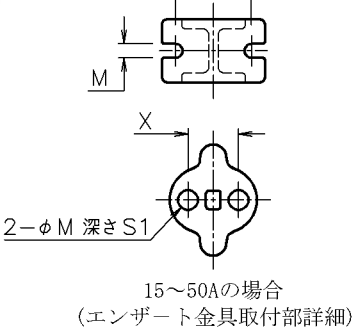
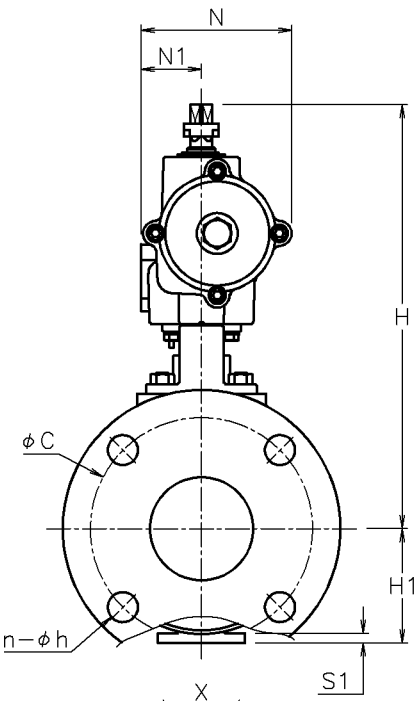


| 呼び径 | d | L | t | D | C | n-h | P | X | M | S1 | W | N | N1 | H1 | H | 質量 (kg) | Cv値 | 操作機型式 | ランク |
|-------|-----|-----|----|-----|-----|------|-----|----|-----|----|-----|-----|----|-----|-----|------------|-----|---------|-----|
| 15 A | 15 | 143 | 12 | 95 | 70 | 4-15 | 1/8 | 19 | 7.3 | 11 | 110 | 57 | 32 | 29 | 153 | 1.6 | 14 | TAD-040 | 0 |
| 20 A | 20 | 172 | 14 | 100 | 75 | 4-15 | 1/8 | 19 | 7.3 | 11 | 110 | 57 | 32 | 35 | 160 | 1.8 | 29 | TAD-040 | 0 |
| 25 A | 25 | 187 | 14 | 125 | 90 | 4-19 | 1/8 | 19 | 7.3 | 11 | 110 | 57 | 32 | 39 | 167 | 2.1 | 47 | TAD-040 | 0 |
| 32 A | 32 | 190 | 16 | 135 | 100 | 4-19 | 1/8 | 30 | 9 | 15 | 110 | 57 | 32 | 47 | 184 | 2.7 | 72 | TAD-040 | 0 |
| 40 A | 40 | 212 | 16 | 140 | 105 | 4-19 | 1/4 | 30 | 9 | 15 | 170 | 82 | 36 | 55 | 220 | 3.6 | 155 | TAD-050 | 0 |
| 50 A | 51 | 234 | 16 | 155 | 120 | 4-19 | 1/4 | 30 | 9 | 15 | 170 | 82 | 36 | 66 | 232 | 5.3 | 190 | TAD-050 | 0 |
| | | | | | | | | | | | 204 | 95 | 38 | | 247 | 6.1 | | TAD-063 | 2 |
| 65 A | 65 | 256 | 18 | 175 | 140 | 4-19 | 1/4 | 48 | 9 | 6 | 204 | 95 | 38 | 72 | 267 | 6.5 | 365 | TAD-063 | 0 |
| | | | | | | | | | | | 240 | 116 | 45 | | 309 | 8.2 | | TAD-080 | 2 |
| 80 A | 78 | 302 | 18 | 185 | 150 | 8-19 | 1/4 | 55 | 11 | 7 | 204 | 95 | 38 | 85 | 276 | 8.2 | 410 | TAD-063 | 0 |
| | | | | | | | | | | | 240 | 116 | 45 | | 318 | 9.9 | | TAD-080 | 2 |
| 100 A | 100 | 369 | 18 | 210 | 175 | 8-19 | 1/4 | 65 | 11 | 8 | 240 | 116 | 45 | 110 | 350 | 17 | 680 | TAD-080 | 0 |



※ 65~100Aでは、流れ方向の指定はありません



TADPA901RRV-015
TADPA901RRV-020
TADPA901RRV-025
TADPA901RRV-032

| No | DESCRIPTION | MATERIALS | REQ'D | REMARKS |
|----|-------------|---------------|-------|---------|
| 10 | エア作動操作機 | | 1 | TAD |
| 9 | 延長ブラケット | BERIC | 1 | |
| 8 | コネクタ | SUS304 | 1 | |
| 7 | コネクタ | SUS303/SCS13A | 1 | |
| 6 | ブラケット | SUS304/SCS13A | 1 | |
| 5 | Oリング | FKM | 2 | |
| 4 | ステム | PVDF | 1 | |
| 3 | シート | PTFE | 2 | |
| 2 | ボール | PVDF | 1 | |
| 1 | 本体 | PVDF | 1 | |

NOTE
① 標準操作圧力：0.4~0.5MPa 最大0.7MPa
② 操作機動作
・空気口Aへ空気導入によりバルブ開
・空気口Bへ空気導入によりバルブ開

| | | | | | |
|-----------|------|------------------------------------|---|----------|---------------|
| APPR'D | H. F | TITLE | J I O K フランジ式 (複作動形) P A 型エア作動ボールバルブ | | |
| CHR'D | K. Y | MODEL | TADPA9*1RRV | | |
| DESIGN | | SCALE | NON | DWG No. | PA-9*1RRV-TA3 |
| MARK | DATE | BY | DATE | 16-11-17 | |
| REVISIONS | | NIPPON VALVE CONTROLS, INC. | | | |
| MV-2557 | | | | | |