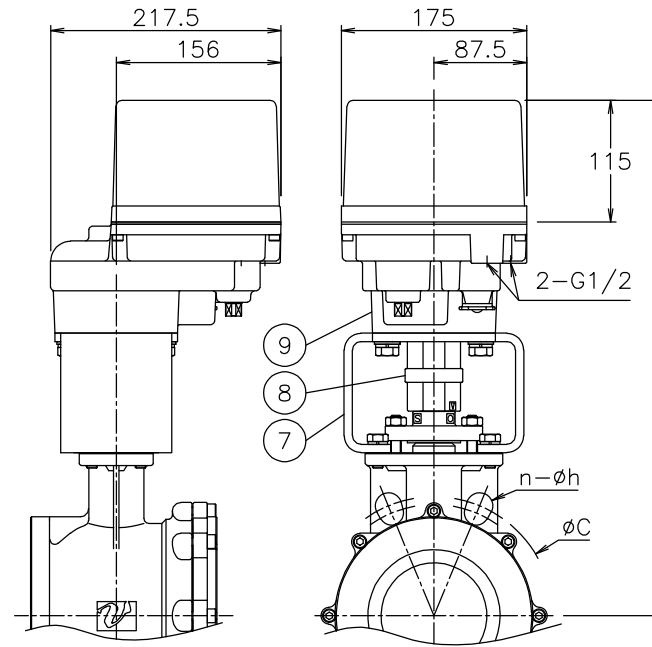
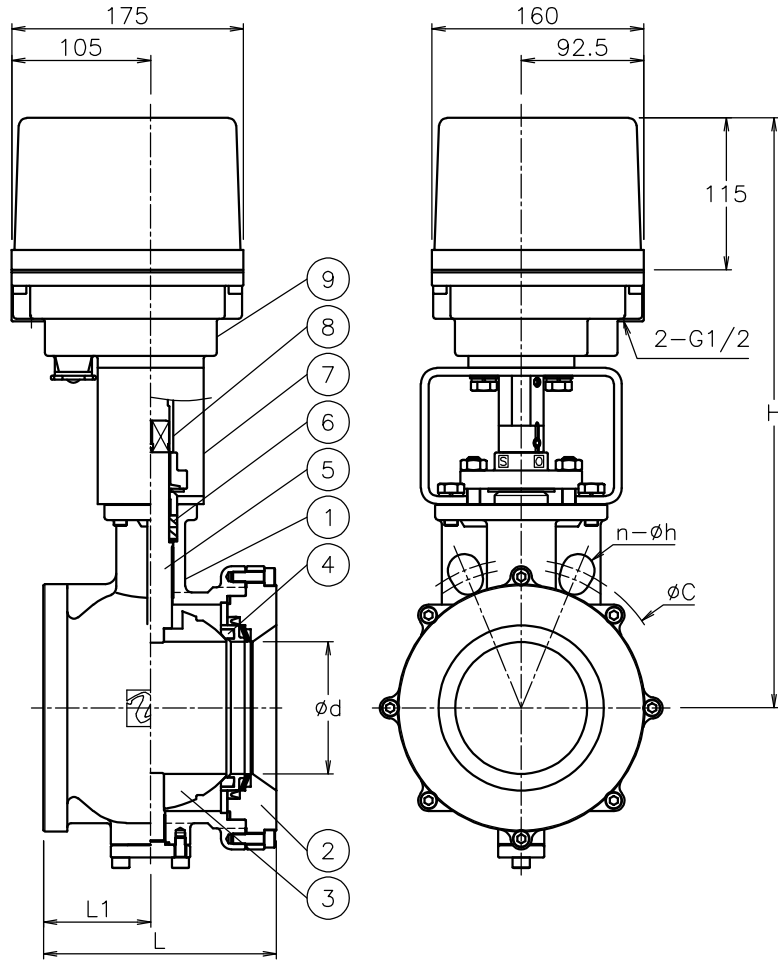


Size [mm]	d	L	L1	J10K		J20K		H	Weight [kg]	Cv	Actuator			Sizing code
				C	n-h	C	n-h				PHX-300	PHR-300	PDX-300	
R40	32	80	37	105	4-19	105	4-19	315	8.5	95	PHX-300	PHR-300	PDX-300	0
R50	38	95	45	120	4-19	120	8-19	346	11	135	PHX-300	PHR-300	PDX-300	0
									11		PHX-700	PHR-700	PDX-700	2
R65	50	110	50	140	4-19	140	8-19	354	13	195	PHX-700	PHR-700	PDX-700	0
R80	64	125	57	150	8-19	160	8-23	370	16	410	PHX-700	PHR-700	PDX-700	0
								392			18	PHX-02K	PHR-02K	PDX-02K
R100	74	145	67	175	8-19	185	8-23	395	21	430	PHX-700	PHR-700	PDX-700	0
								417			22	PHX-02K	PHR-02K	PDX-02K
R125	100	176	81	210	8-23	225	8-25	446	32	900	PHX-02K	PHR-02K	PDX-02K	0
								487			38	PHX-06K	PHR-06K	PDX-06K
R150	125	215	105	240	8-23	260	12-25	464	44	1360	PHX-02K	PHR-02K	PDX-02K	1
								505			50	PHX-06K	PHR-06K	PDX-06K



PHXGS*23UUGR125
 PHRGS*23UUGR125
 PDXGS*23UUGR125
 PHXGS*03UUGR150
 PHRGS*03UUGR150
 PDXGS*03UUGR150

NOTE
 ATTACHMENT
 Cable gland (nylon), G 1/2, for 6φ to 12φ cable.
 Plug.

No	DESCRIPTION	MATERIALS	REQ'D	REMARKS
9	Actuator		1	
8	Joint	SCS13A	1	
7	Bracket	SUS304	1	
6	Packing	R-PTFE	2	
5	Stem	SUS316	1	
4	Seat	R-PTFE	1	
3	Ball	SCS14A	1	HCr PLTD
2	Cap	SCS14A	1	
1	Body	SCS14A	1	

MARK	DATE	BY	DATE	'21-10-05	SCALE	NON	DWG No.	GS-*3UUG-R-PX5-EN
REVISIONS								
MV-2934								
APPR'D		H.F		TITLE		J10K/20K Flanged-end (Wafer type)		
CHK'D		K.Y		MODEL		GS type electric actuated control valve		
DESIGN		S.O		PHXGS**3UUGR		PDXGS**3UUGR		
DRAWN				PHRGS**3UUGR				