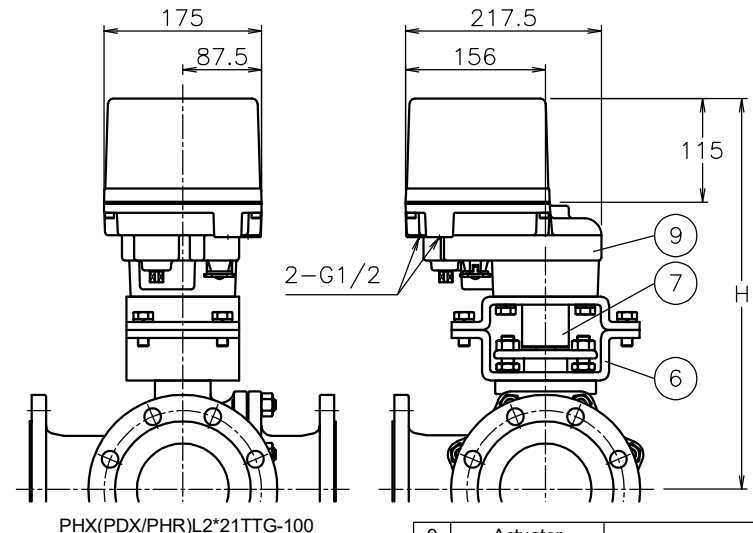
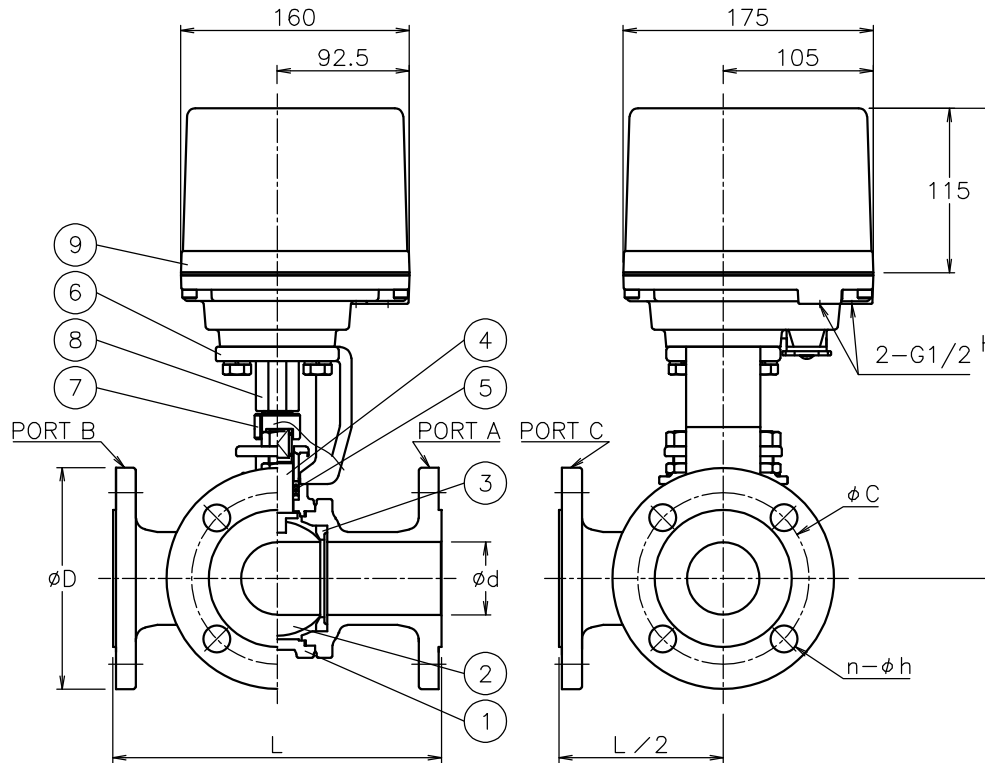
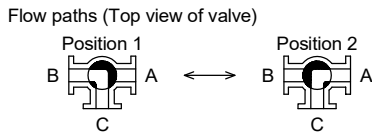


Size (mm)	d	L	D	C	n-h	H	Weight (kg)	Cv		ACTUATOR			Sizing code
								ON-OFF	Effective Cv value	PHX-300	PHR-300	PDX-300	
20 A	19	150	100	75	4-15	285	10	24	10	PHX-300	PHR-300	PDX-300	0
25 A	25	170	125	90	4-19	296	12	40	20	PHX-300	PHR-300	PDX-300	0
40 A	38	200	140	105	4-19	321	16	100	60	PHX-300	PHR-300	PDX-300	0
										PHX-700	PHR-700	PDX-700	2
50 A	51	230	155	120	4-19	329	19	170	110	PHX-700	PHR-700	PDX-700	0
65 A	64	260	175	140	4-19	368	27	240	150	PHX-700	PHR-700	PDX-700	0
										PHX-02K	PHR-02K	PDX-02K	2
80 A	76	280	185	150	8-19	400	32	380	240	PHX-02K	PHR-02K	PDX-02K	0
100 A	102	340	210	175	8-19	436	45	680	440	PHX-02K	PHR-02K	PDX-02K	0
										PHX-06K	PHR-06K	PDX-06K	2



PHX(PDX/PHR)L2*21TTG-100

NOTE
Attachment
• Cable gland(nylon), G1/2, for φ6~12 cable
• Plug



No	DESCRIPTION	MATERIALS	REQ'D	REMARKS
9	Actuator		1	
8	Joint	SCS13A	1	
7	Joint	SUSXM7/LAK52	1	100A(Sizing code 2)
		SUS304		065,080A
		SCS13A		100A(Sizing code 0)
		S45C		025~050A
6	Bracket	SCPH2/SS400	1	020A
		SCPH2		020~080A
5	Packing	N-PTFE	1	
4	Stem	SUS304	1	
3	Seat	R-PTFE	2	
2	Ball	SUS304/SCS13A	1	
1	Body	SCS13A	1	

MARK	DATE	BY	DATE	SCALE	TITLE	MODEL	DWG No.
			'23-11-16	NON	J10K Flanged-end L2 type electric actuated 3 way control valve	PHXL2**TTG PHRL2**TTG	PDXL2**1TTG
REVISIONS					L2-*1TTG-PX10-EN		
MV-3039					NIPPON VALVE CONTROLS, INC.		