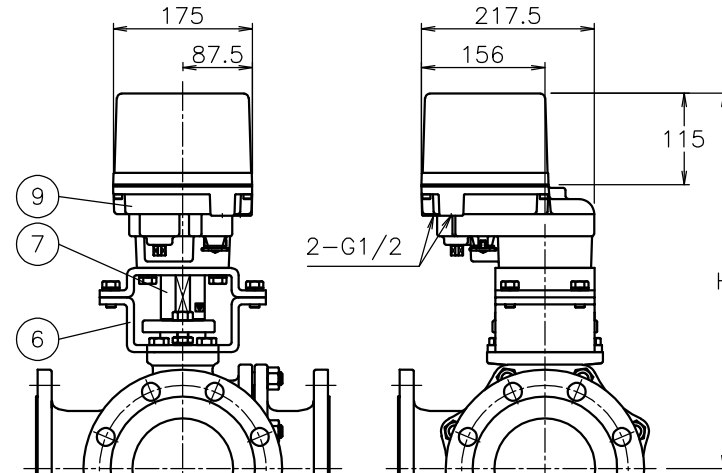
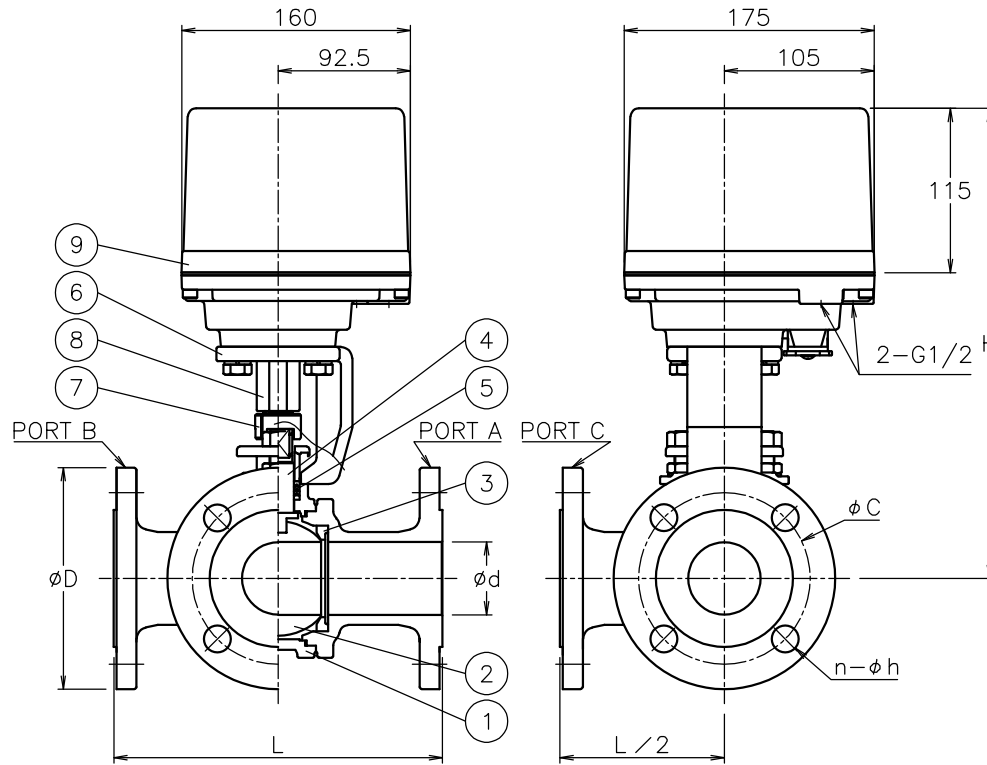


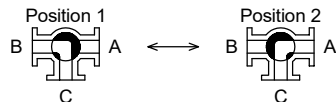
Size (mm)	d	L	D	C	n-h	H	Weight (kg)	Cv	ACTUATOR			Sizing code
20 A	19	150	100	75	4-15	285	10	24	HD1-300	HD2-300	HD0-300	0
25 A	25	170	125	90	4-19	296	12	40	HD1-300	HD2-300	HD0-300	0
40 A	38	200	140	105	4-19	321	16	100	HD1-300	HD2-300	HD0-300	0
									HD1-700	HD2-700	HD0-700	2
50 A	51	230	155	120	4-19	329	19	170	HD1-700	HD2-700	HD0-700	0
									HD1-700	HD2-700	HD0-700	0
65 A	64	260	175	140	4-19	368	27	240	HD1-700	HD2-700	HD0-700	0
									HD1-02K	HD2-02K	HD0-02K	2
80 A	76	280	185	150	8-19	378	31	380	HD1-700	HD2-700	HD0-700	1
									HD1-02K	HD2-02K	HD0-02K	0
100 A	102	340	210	175	8-19	436	45	680	HD1-02K	HD2-02K	HD0-02K	0
125 A	127	370	250	210	8-23	473	75	1080	HD1-06K	HD2-06K	HD0-06K	0
150 A	152	430	280	240	8-23	493	94	1620	HD1-06K	HD2-06K	HD0-06K	0
200 A	203	520	330	290	12-23	546	154	2870	HD1-06K	HD2-06K	HD0-06K	1



HD\*L2\*01DTT-125  
HD\*L2\*01DTT-150  
HD\*L2\*11DTT-200

NOTE  
Attachment  
• Cable gland (nylon), G1/2, for phi 6-12 cable  
• Plug

Flow paths (Top view of valve)



No	DESCRIPTION	MATERIALS	REQ'D	REMARKS
9	Actuator		1	
8	Joint	SCS13A	1	
7	Joint	SUSXM7/LAK52	1	125, 150A
		SUS303/SUS304		065~100A
		SCS13A		200A
6	Bracket	S45C	1	025~050A
		SS400		020A
5	Packing	N-PTFE	1	
4	Stem	SUS304	1	
3	Seat	N-PTFE	2	
2	Ball	SUS304/SCS13A	1	
1	Body	FCD400	1	

MARK	DATE	BY	DATE	SCALE	TITLE	MODEL	DWG No.
			'23-11-16	NON	J10K Flanged-end L2 type electric actuated 3 way ball valve	HD1L2**DTT HD2L2**DTT	HD0L20*1DTT
REVISIONS							
MV-3039							

**Upro** NIPPON VALVE CONTROLS, INC.