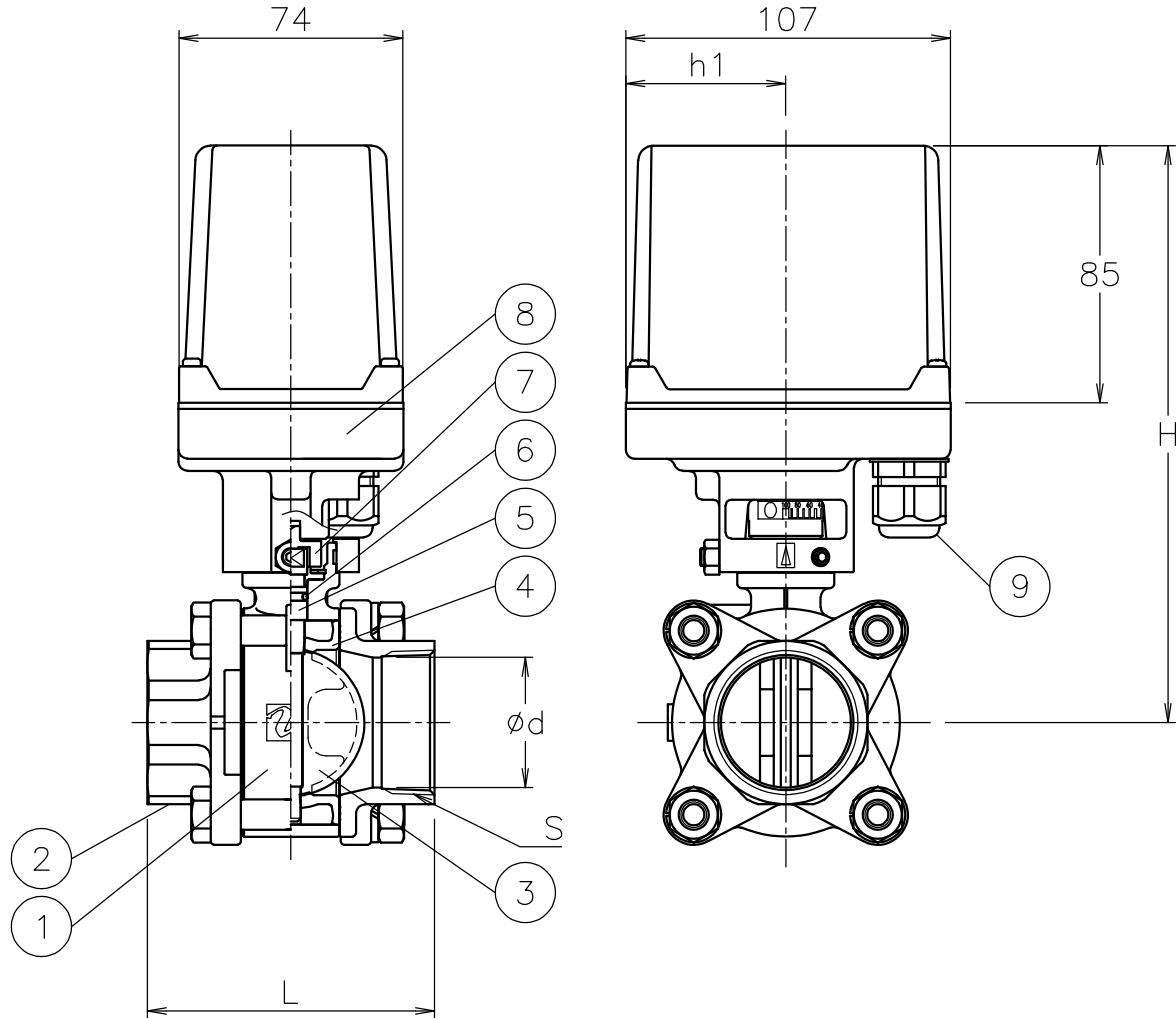



Size [mm]	S	d	L	h1	H	Weight [kg]	Cv	Actuator	Sizing code
15	Rc 1/2	17	59	36	156	1.8	7	PAX-050	0
20	Rc 3/4	23	66	36	159	1.9	19	PAX-050	0
25	Rc 1	28	78	36	164	2.1	28	PAX-050	0
32	Rc1 1/4	31	87	36	164	2.3	28	PAX-050	0
40	Rc1 1/2	43	95	53	190	3	86	PAX-120	0
50	Rc 2	48	109	53	190	3.5	86	PAX-120	0



NOTE

(a) Cable acceptance: 5φ to 10.5φ mm.

9	Cable gland	NYLON 6	1	G3/8 (a)
8	Actuator	ADC12/PC Cover	1	
7	Joint	SUS304/PPS	1	
6	O-ring	NBR	1	
5	Stem	SUS316	1	
4	Seat	NBR	1	
3	Disc	PPS	1	
2	Cap	SCS14A	2	
1	Body	SCS13A	1	
No	DESCRIPTION	MATERIALS	REQ'D	REMARKS

			APPR'D	H.F	TITLE	Threaded End Rc Z type motorized 3 piece control valve				
			CHK'D	K.Y						
			DESIGN		MODEL	PAXZ-*05TUB				
			DRAWN	S.O						
MARK	DATE	BY	DATE	'21-04-14	SCALE	NON	DWG No.	Z-05TUB-AX4-EN		
	REVISIONS				 NIPPON VALVE CONTROLS, INC.					
	MV-2890									