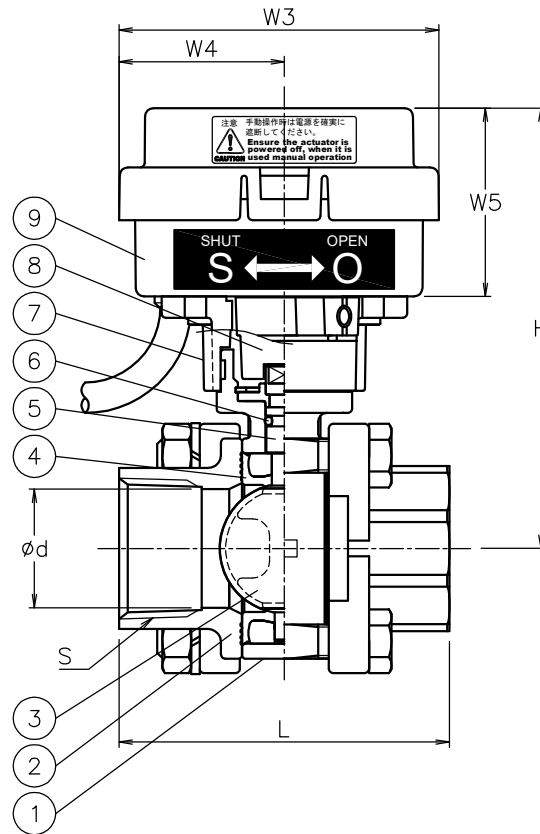
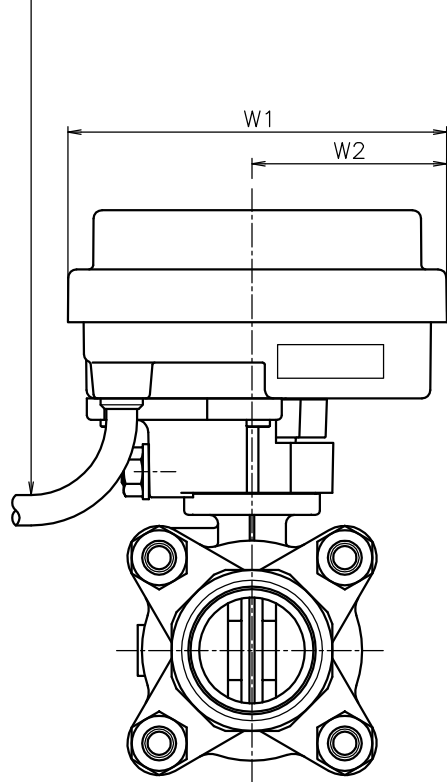


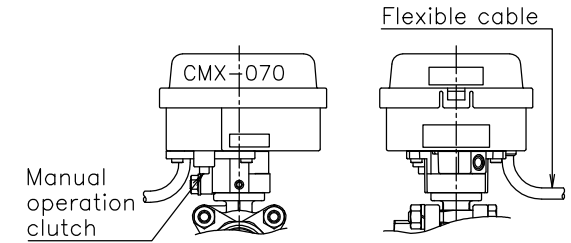
Size [mm]	S	d	L	W1	W2	W3	W4	W5	H	Weight [kg]	Cv	Actuator			Sizing code
												AC power		DC power	
15	Rc 1/2	17	59	90	46	76	39	44.5	97	0.9	7	CMX-030-1	CMX-030-2	CMX-015-0	0
				105	55	96	48	61	117	1.3		CMX-070-1	CMX-070-2	CMX-070-0	2
20	Rc 3/4	23	66	90	46	76	39	44.5	100	1	19	CMX-030-1	CMX-030-2	CMX-015-0	0
				105	55	96	48	61	120	1.4		CMX-070-1	CMX-070-2	CMX-070-0	2
25	Rc 1	28	78	90	46	76	39	44.5	104	1.2	28	CMX-030-1	CMX-030-2	-	0
				105	55	96	48	61	125	1.6		CMX-070-1	CMX-070-2	CMX-070-0	2
32	Rc1 1/4	31	87	90	46	76	39	44.5	104	1.4	28	CMX-030-1	CMX-030-2	-	0
				105	55	96	48	61	125	1.8		CMX-070-1	CMX-070-2	CMX-070-0	2
40	Rc1 1/2	43	95	105	55	96	48	61	137	2.3	86	CMX-070-1	CMX-070-2	CMX-070-0	0
50	Rc 2	48	109	105	55	96	48	61	137	2.8	86	CMX-070-1	CMX-070-2	CMX-070-0	0

Flexible cable  
4 leads 0.5mm<sup>2</sup> Length 500mm



NOTE

Press the actuator clutch and move the joint to manually operate the CMX-070.



- CMXZ-\*25TUB-015
- CMXZ-\*25TUB-020
- CMXZ-\*25TUB-025
- CMXZ-\*25TUB-032
- CMXZ-\*05TUB-040
- CMXZ-\*05TUB-050

No	DESCRIPTION	MATERIALS	REQ'D	REMARKS
9	Actuator	PC Case	1	
8	Joint	PPS	1	
7	Bracket	PPS	1	
6	O-ring	NBR	1	
5	Stem	SUS316	1	
4	Seat	NBR	1	
3	Disc	PPS	1	
2	Cap	SCS14A	2	
1	Body	SCS13A	1	

			APPR'D	H.F	TITLE	Threaded End Rc Z type electric actuated control valve		
			CHK'D	K.Y	MODEL	CMXZ-**5TUB		
			DESIGN					
			DRAWN	S.O				
MARK	DATE	BY	DATE	'18-02-05	SCALE	NON	DWG No.	Z-*5TUB-MX5-EN
REVISIONS								
MV-2684								