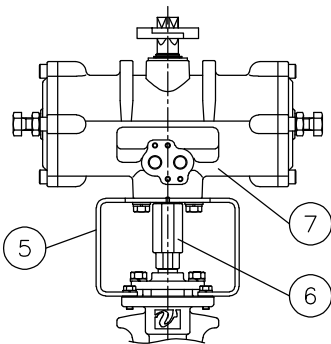


Size [mm]	d	L	D	C	n-h	W	N	N1	H	Weight [kg]	Cv	Actuator	Sizing code
40	40	40	80	95	4-15	170	82	36	255	2.6	85	TAD-050	0
50	50	40	90	105	4-15	170	82	36	260	2.8	145	TAD-050	0
65	65	40	115	130	4-15	170	82	36	272	3.1	290	TAD-050	0
80	80	50	126	145	4-19	170	82	36	304	4.1	450	TAD-050	0
100	105	50	146	165	8-19	170	82	36	315	4.4	780	TAD-050	0
						204	95	38	330	5.2		TAD-063	2
125	130	50	181	200	8-19	170	82	36	333	5.2	1200	TAD-050	0
						204	95	38	348	6		TAD-063	2
150	154	50	211	230	8-19	170	82	36	347	6.7	1800	TAD-050	0
						204	95	38	362	7.5		TAD-063	2
200	204	50	257	280	8-23	170	82	36	370	8.2	3200	TAD-050	0
						204	95	38	385	9		TAD-063	2
250	253	50	322	345	12-23	204	95	38	407	13	5100	TAD-063	0
						240	116	45	472	14		TAD-080	2
300	300	55	367	390	12-23	204	95	38	433	16	7200	TAD-063	0
						240	116	45	498	18		TAD-080	2
350	340	70	410	435	12-25	240	116	45	527	25	8900	TAD-080	0
						294	143	57	580	29		TAD-100	2
400	387	70	470	495	16-25	240	116	45	551	30	11000	TAD-080	0
						294	143	57	604	33		TAD-100	2

NOTE

- 1) Air supply: 0.4 to 0.5 Mpa. Max 0.7 Mpa.
- 2) Actuator operation
Air to port A: SHUT
Air to port B: OPEN



TADWT922TG0-250
TADWT922TG0-300
TADWT922TG0-350
TADWT922TG0-400

7	Actuator		1	TAD
6	Joint	SUS304/SCS13A	1	
5	Bracket	SUS304/SCS13A	1	
4	Gland Packing	GRAPHITE	1	
3	Stem	SUS420J2	1	
2	Disc	SUS420J2/420J1	1	
1	Body	SCS13A	1	
No	DESCRIPTION	MATERIALS	REQ'D	REMARKS

			APPR'D	K.Y.	TITLE	J5KFlanged-end (wafer type) (double-acting type) WT type pneumatic actuated damper			
			CHK'D	K.Y.					
			DESIGN		MODEL	TADWT9*2TG0			
			DRAWN	S.O.					
MARK	DATE	BY	DATE	'24-04-09	SCALE	NON	DWG No.	WT-9*2TG0-TA10-EN	
REVISIONS									
MV-3063									

NIPPON VALVE CONTROLS, INC.