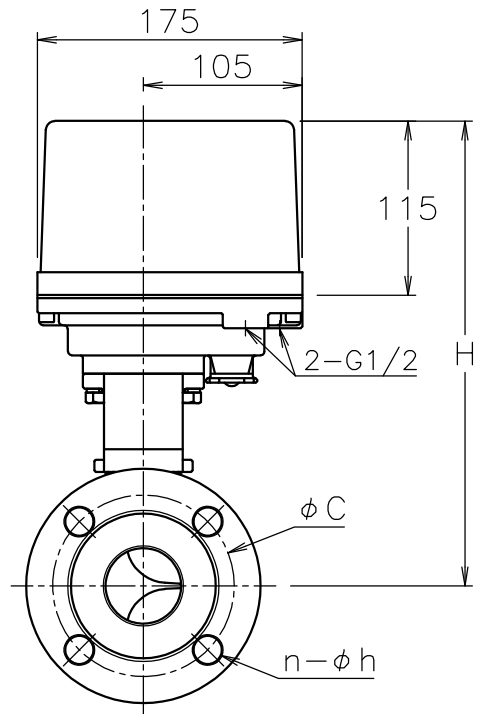
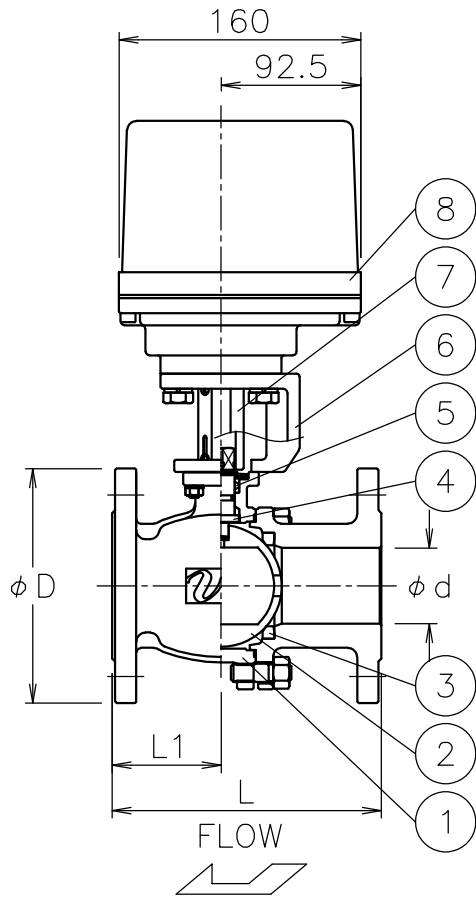


Size [mm]	d	L	L1	D	C	n-h	H	Weight [kg]	Cv	Actuator		Sizing code
R15	(15)	108	40	95	70	4-15	274	8.1	1.3	PHX-300	PDX-300	0
								8.3		PHX-700	PDX-700	2
15	(15)	108	40	95	70	4-15	274	8.1	4	PHX-300	PDX-300	0
								8.3		PHX-700	PDX-700	2
20	(20)	117	48	100	75	4-15	277	8.6	7.5	PHX-300	PDX-300	0
								8.8		PHX-700	PDX-700	2
25	(25)	127	48.5	125	90	4-19	284	9.9	12	PHX-300	PDX-300	0
								11		PHX-700	PDX-700	2
32	(32)	140	60	135	100	4-19	290	12	20	PHX-300	PDX-300	0
								12		PHX-700	PDX-700	2
40	(40)	165	67.5	140	105	4-19	299	13	31	PHX-300	PDX-300	0
								13		PHX-700	PDX-700	2
50	(50)	178	72	155	120	4-19	308	15	48	PHX-700	PDX-700	0
65	(65)	190	85	175	140	4-19	330	20	85	PHX-700	PDX-700	0
80	(80)	203	97	185	150	8-19	342	23	123	PHX-700	PDX-700	0
							364	24		PHX-02K	PDX-02K	2



NOTE
ATTACHMENT
Cable gland (nylon), G1/2, for 6φ to 12φ cable.
Plug.

8	Actuator		1	
7	Joint	SCS13A	1	
6	Bracket	SCS13A	1	
5	Packing	R-PTFE	1set	
4	Stem	SUS316	1	
3	Seat	R-F-PTFE	2	
2	Ball	SUS316/SCS14A	1	
1	Body	SCS14A	1	
No	DESCRIPTION	MATERIALS	REQ'D	REMARKS

			APPR'D	H.F	TITLE	J10K Flanged-end VR type electric actuated control valve					
			CHK'D	K.Y							
			DESIGN		MODEL	PHXVR**1UUR PDXVR**1UUR					
			DRAWN	S.O							
MARK	DATE	BY	DATE	'20-10-30	SCALE	NON	DWG No.	VR-*1UUR-PX9-EN			
REVISIONS			 NIPPON VALVE CONTROLS, INC.								
MV-2864											