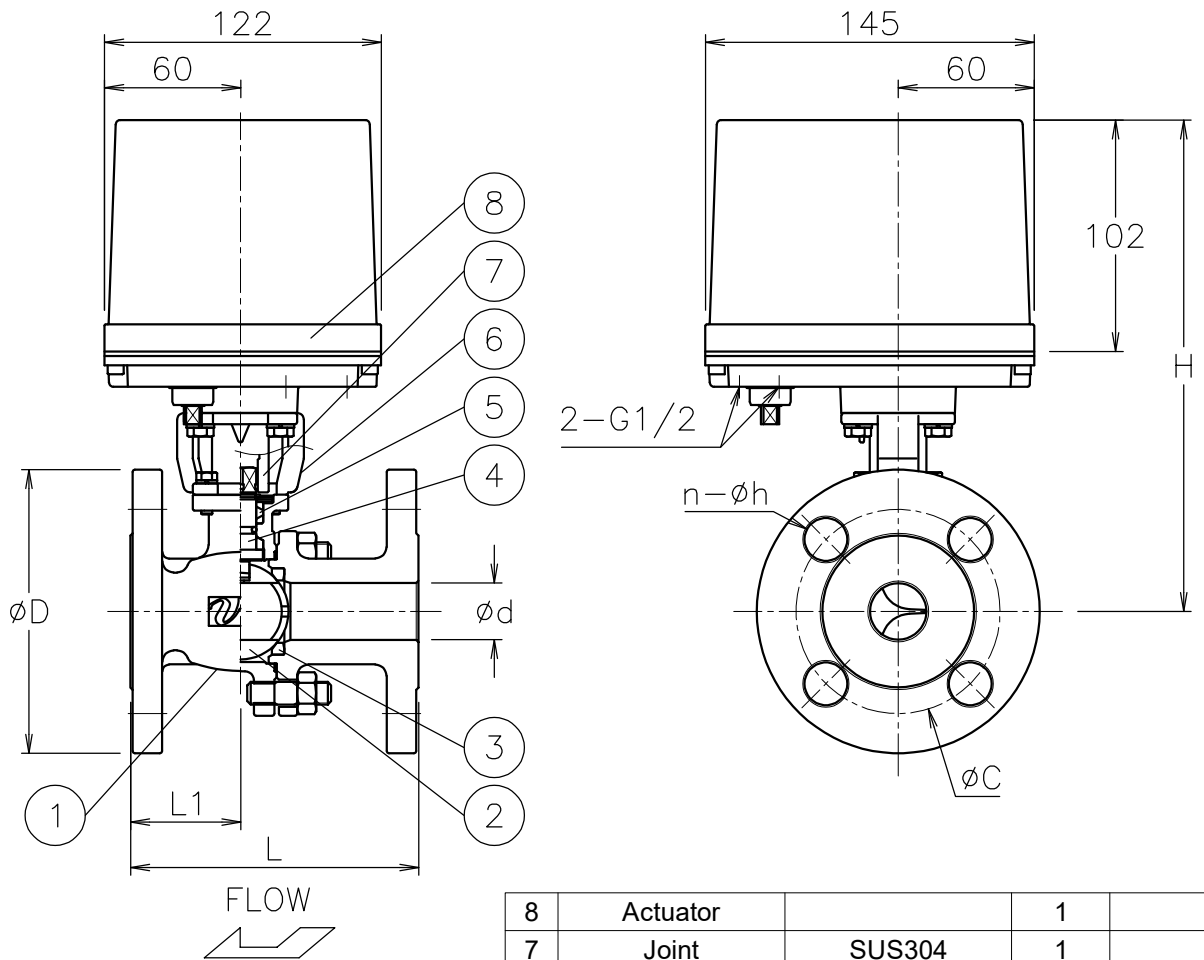



| Size [mm] | d | L | L1 | D | C | n-h | H | Weight [kg] | Cv | Actuator | Sizing code |
|-----------|------|-----|------|-----|-----|------|-----|-------------|-----|----------|-------------|
| R15 | (15) | 108 | 40 | 95 | 70 | 4-15 | 207 | 4.2 | 1.3 | PEX-120 | 0 |
| | | | | | | | | 4.2 | | PEX-300 | 2 |
| 15 | (15) | 108 | 40 | 95 | 70 | 4-15 | 207 | 4.2 | 4 | PEX-120 | 0 |
| | | | | | | | | 4.2 | | PEX-300 | 2 |
| 20 | (20) | 117 | 48 | 100 | 75 | 4-15 | 210 | 4.7 | 7.5 | PEX-120 | 0 |
| | | | | | | | | 4.7 | | PEX-300 | 2 |
| 25 | (25) | 127 | 48.5 | 125 | 90 | 4-19 | 217 | 6 | 12 | PEX-120 | 1 |
| | | | | | | | | 6 | | PEX-300 | 0 |
| 32 | (32) | 140 | 60 | 135 | 100 | 4-19 | 223 | 7.1 | 20 | PEX-300 | 0 |
| 40 | (40) | 165 | 67.5 | 140 | 105 | 4-19 | 232 | 8.3 | 31 | PEX-300 | 0 |
| | | | | | | | 248 | 8.7 | | PEX-700 | 2 |
| 50 | (50) | 178 | 72 | 155 | 120 | 4-19 | 257 | 11 | 48 | PEX-700 | 0 |
| 65 | (65) | 190 | 85 | 175 | 140 | 4-19 | 287 | 15 | 85 | PEX-700 | 0 |



NOTE
ATTACHMENT
Cable gland (nylon), G1/2, for 6φ to 12φ cable.
Plug.

| 8 | Actuator | | 1 | |
|----|-------------|---------------|-------|---------|
| 7 | Joint | SUS304 | 1 | |
| 6 | Bracket | SCS13A | 1 | |
| 5 | Packing | R-PTFE | 1set | |
| 4 | Stem | SUS316 | 1 | |
| 3 | Seat | R-F-PTFE | 2 | |
| 2 | Ball | SUS316/SCS14A | 1 | |
| 1 | Body | SCS14A | 1 | |
| No | DESCRIPTION | MATERIALS | REQ'D | REMARKS |

| | | | | | | | | | | | |
|-----------|------|----|--|-----------|-------|---|---------|-----------------|--|--|--|
| | | | APPR'D | H.F | TITLE | J10K Flanged-end VR type electric actuated control valve | | | | | |
| | | | CHK'D | K.Y | | | | | | | |
| | | | DESIGN | | MODEL | PEXVR**1UUR | | | | | |
| | | | DRAWN | S.O | | | | | | | |
| MARK | DATE | BY | DATE | '21-10-04 | SCALE | NON | DWG No. | VR-*1UUR-PE3-EN | | | |
| REVISIONS | | |  NIPPON VALVE CONTROLS, INC. | | | | | | | | |
| MV-2933 | | | | | | | | | | | |