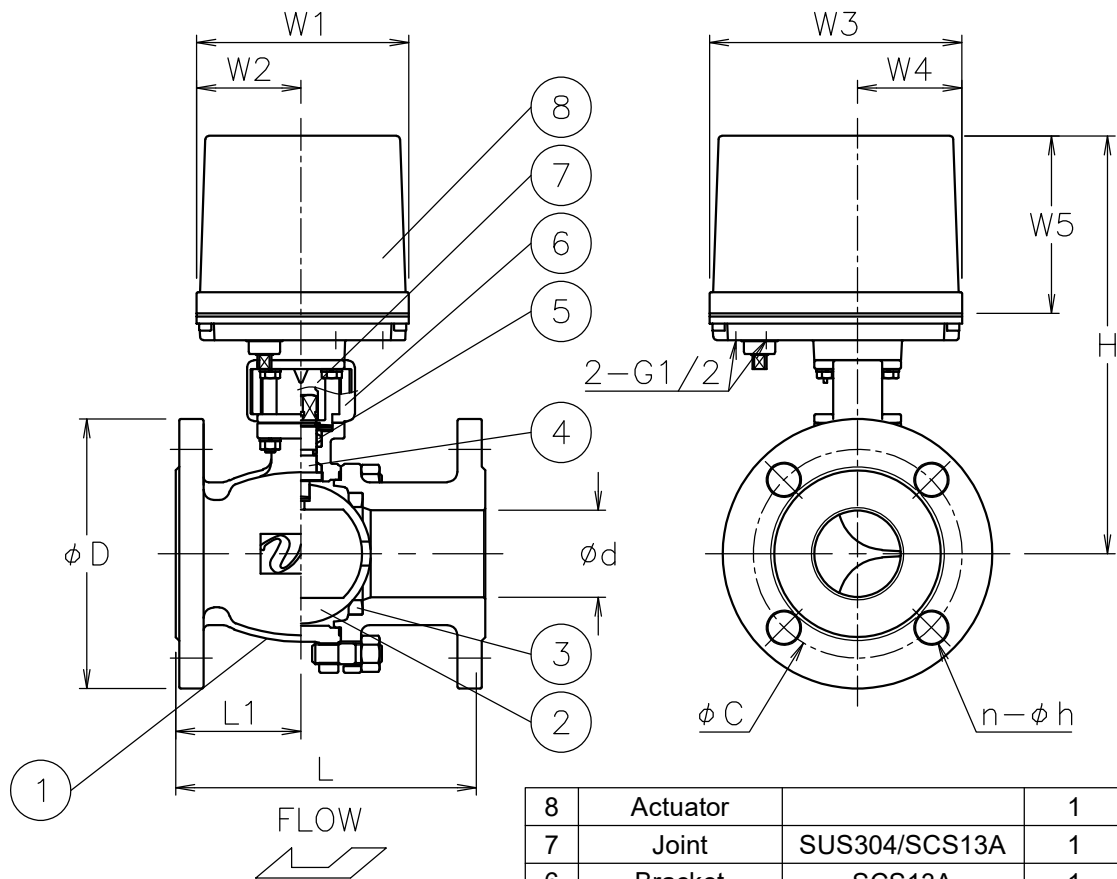


Size [mm]	d	L	L1	D	C	n-h	W1	W2	W3	W4	W5	H	Weight [kg]	Cv	Actuator	Sizing code
R15	(15)	108	40	95	70	4-15	122	60	145	60	102	207	4.2	1.3	AEX-120	0
15	(15)	108	40	95	70	4-15	122	60	145	60	102	207	4.2	4	AEX-120	0
20	(20)	117	48	100	75	4-15	122	60	145	60	102	210	4.7	7.5	AEX-120	0
													5.1		AEX-360	2
25	(25)	127	48.5	125	90	4-19	122	60	145	60	102	217	6	12	AEX-120	0
													6.4		AEX-360	2
32	(32)	140	60	135	100	4-19	122	60	145	60	102	223	20	AEX-360	0	
												239		7.7	AEX-700	2
40	(40)	165	67.5	140	105	4-19	122	60	145	60	102	232	31	AEX-360	0	
												248		9	AEX-700	2
50	(50)	178	72	155	120	4-19	122	60	145	60	102	241	48	AEX-360	0	
												257		11	AEX-700	2
65	(65)	190	85	175	140	4-19	122	60	145	60	102	287	16	85	AEX-700	0
							160								97	175
80	(80)	203	97	185	150	8-19	122	60	145	60	102	299	19	123	AEX-700	0
							160								97	175



NOTE
ATTACHMENT
Cable gland (nylon), G1/2, for 6φ to 12φ cable.
Plug.

8	Actuator		1	
7	Joint	SUS304/SCS13A	1	
6	Bracket	SCS13A	1	
5	Packing	R-PTFE	1set	
4	Stem	SUS316	1	
3	Seat	R-F-PTFE	2	
2	Ball	SUS316/SCS14A	1	
1	Body	SCS14A	1	
No	DESCRIPTION	MATERIALS	REQ'D	REMARKS

			APPR'D	H.F	TITLE	J10K Flanged-end VR type electric actuated control valve					
			CHK'D	K.Y							
			DESIGN		MODEL	AEXVR**1UUR					
			DRAWN	S.O							
MARK	DATE	BY	DATE	'20-10-26	SCALE	NON	DWG No.	VR-*1UUR-EX9-EN			
REVISIONS											
MV-2864											