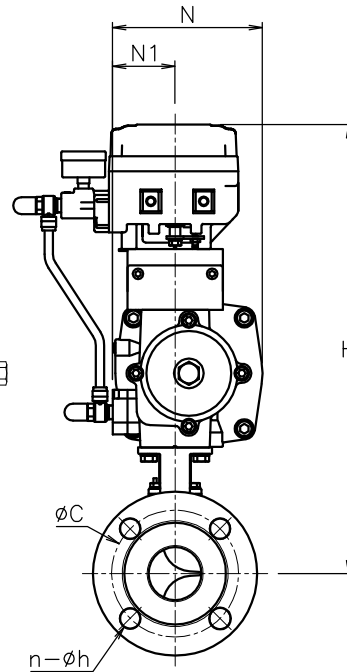
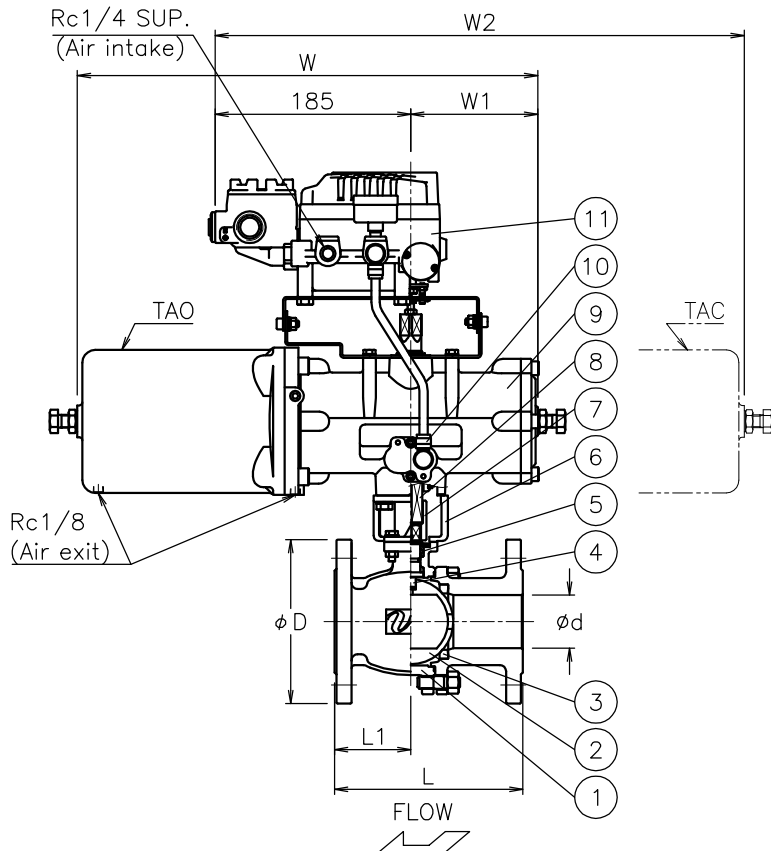


TA*VR901UUG-040-EP
 TA*VR901UUG-050-EP
 TA*VR9*1UUG-065-EP
 TA*VR9*1UUG-080-EP

Size [mm]	d	L	L1	D	C	n-h	W	W1	W2	N	N1	H (): TAC	Weight [kg]	Cv	Actuator		Sizing code
R15	(15)	108	40	95	70	4-15	305	85	405	103	50	335	8.3	1.3	TAO-050	TAC-050	2
15	(15)	108	40	95	70	4-15	305	85	405	103	50	335	8.3	4	TAO-050	TAC-050	2
20	(20)	117	48	100	75	4-15	305	85	405	103	50	338	8.8	7.5	TAO-050	TAC-050	2
25	(25)	127	48.5	125	90	4-19	305	85	405	103	50	345	11	12	TAO-050	TAC-050	0
							367	102	450	119	52	360	13		TAO-063	TAC-063	2
32	(32)	140	60	135	100	4-19	305	85	405	103	50	351	12	20	TAO-050	TAC-050	0
							367	102	450	119	52	366	14		TAO-063	TAC-063	2
40	(40)	165	67.5	140	105	4-19	367	102	450	119	52	343(345)	15	31	TAO-063	TAC-063	0
							435	120	500	142	59	416	19		TAO-080	TAC-080	2
50	(50)	178	72	155	120	4-19	367	102	450	119	52	352(354)	17	48	TAO-063	TAC-063	0
							435	120	500	142	59	425	21		TAO-080	TAC-080	2
65	(65)	190	85	175	140	4-19	435	120	500	142	59	405	24	85	TAO-080	TAC-080	0
							530	147	568	174	71	436	31		TAO-100	TAC-100	2
80	(80)	203	97	185	150	8-19	435	120	500	142	59	417	28	123	TAO-080	TAC-080	0
							530	147	568	174	71	448	35		TAO-100	TAC-100	2



NOTE

- Air supply: 0.4 to 0.5Mpa. Max 0.7Mpa.
- Actuator operation

	Type	Input signal		Airless
		20mA	4mA	
TAO	C	OPEN	SHUT	SHUT
	D	SHUT	OPEN	SHUT
TAC	E	OPEN	SHUT	OPEN
	T	SHUT	OPEN	OPEN

This drawing is TAO. Actuator operation: C-type.

No	DESCRIPTION	MATERIALS	REQ'D	REMARKS
11	Electric-pneumatic positioner		1	EP
10	Speed controller spatter		2	EP
9	Actuator		1	TAO/C
8	Joint	SUS304	1	
7	Joint	SUS304	1	
6	Bracket	SCS13A	1	
5	Packing	R-PTFE	1set	
4	Stem	SUS316	1	
3	Seat	R-PTFE	2	
2	Ball	SUS316/SCS14A	1	
1	Body	SCS14A	1	

APPR'D	H.F	TITLE	J10K Flanged-end (single-acting type) VR type pneumatic actuated ball valve	
CHK'D	K.Y	MODEL	TAOVR9*1UUG-EP TACVR9*1UUG-EP	
DESIGN	S.O	SCALE	NON	DWG No. VR-9*1UUG-EP-TD12-EN
MARK	DATE	BY	DATE	'17-06-01
REVISIONS				
MV-2624				