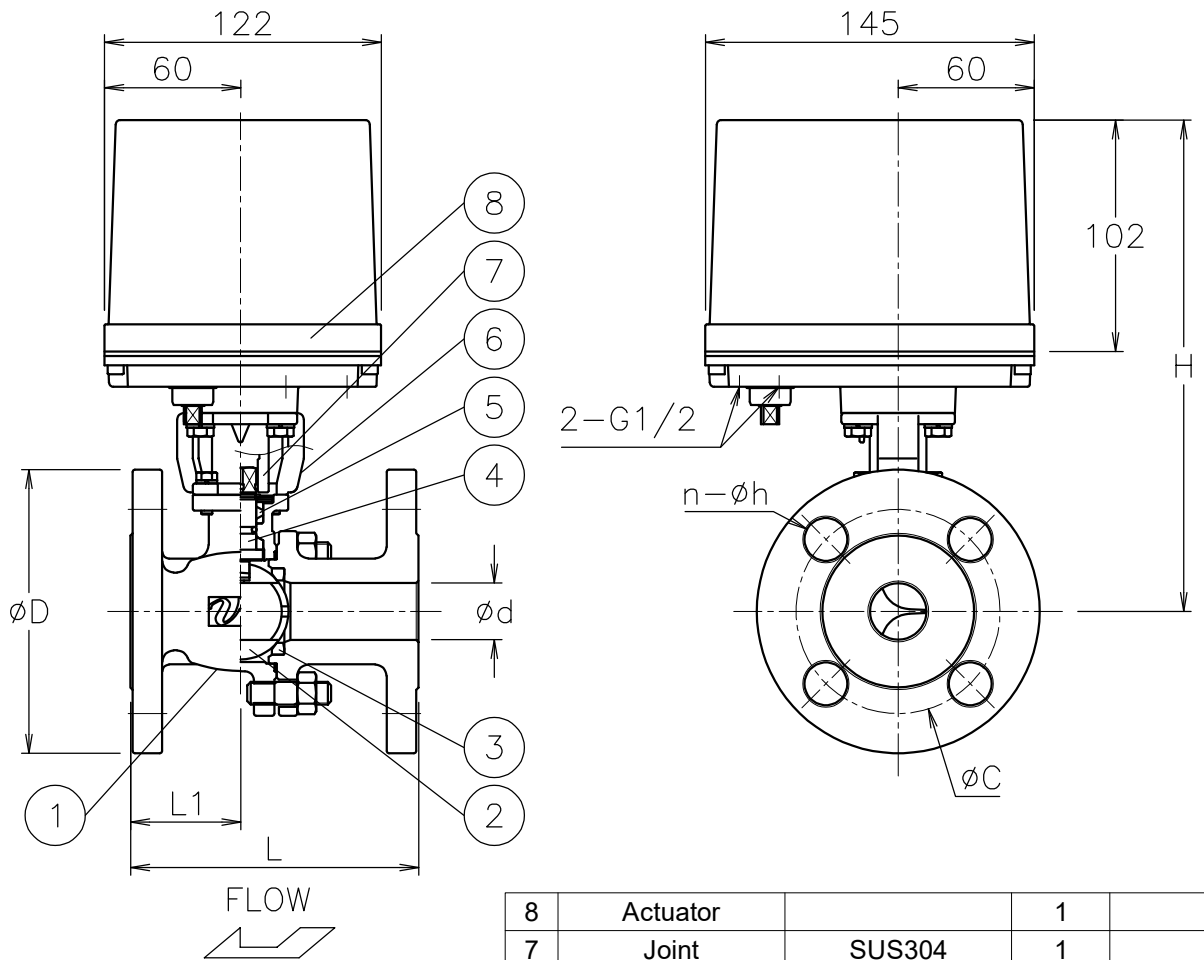



Size [mm]	d	L	L1	D	C	n-h	H	Weight [kg]	Cv	Actuator	Sizing code
R15	(15)	108	40	95	70	4-15	207	4.2	1.3	PEX-120	0
								4.2		PEX-300	2
15	(15)	108	40	95	70	4-15	207	4.2	4	PEX-120	0
								4.2		PEX-300	2
20	(20)	117	48	100	75	4-15	210	4.7	7.5	PEX-120	0
								4.7		PEX-300	2
25	(25)	127	48.5	125	90	4-19	217	6	12	PEX-120	1
								6		PEX-300	0
32	(32)	140	60	135	100	4-19	223	7.1	20	PEX-300	0
40	(40)	165	67.5	140	105	4-19	232	8.3	31	PEX-300	0
							248	8.7		PEX-700	2
50	(50)	178	72	155	120	4-19	257	11	48	PEX-700	0
65	(65)	190	85	175	140	4-19	287	15	85	PEX-700	0



NOTE
ATTACHMENT
Cable gland (nylon), G1/2, for 6φ to 12φ cable.
Plug.

8	Actuator		1	
7	Joint	SUS304	1	
6	Bracket	SCS13A	1	
5	Packing	R-PTFE	1set	
4	Stem	SUS316	1	
3	Seat	R-PTFE	2	
2	Ball	SUS316/SCS14A	1	
1	Body	SCS14A	1	
No	DESCRIPTION	MATERIALS	REQ'D	REMARKS

			APPR'D	H.F	TITLE	J10K Flanged-end VR type electric actuated control valve				
			CHK'D	K.Y						
			DESIGN		MODEL	PEXVR**1UUG				
			DRAWN	S.O						
MARK	DATE	BY	DATE	'21-10-04	SCALE	NON	DWG No.	VR-*1UUG-PE3-EN		
REVISIONS			 NIPPON VALVE CONTROLS, INC.							
MV-2933										