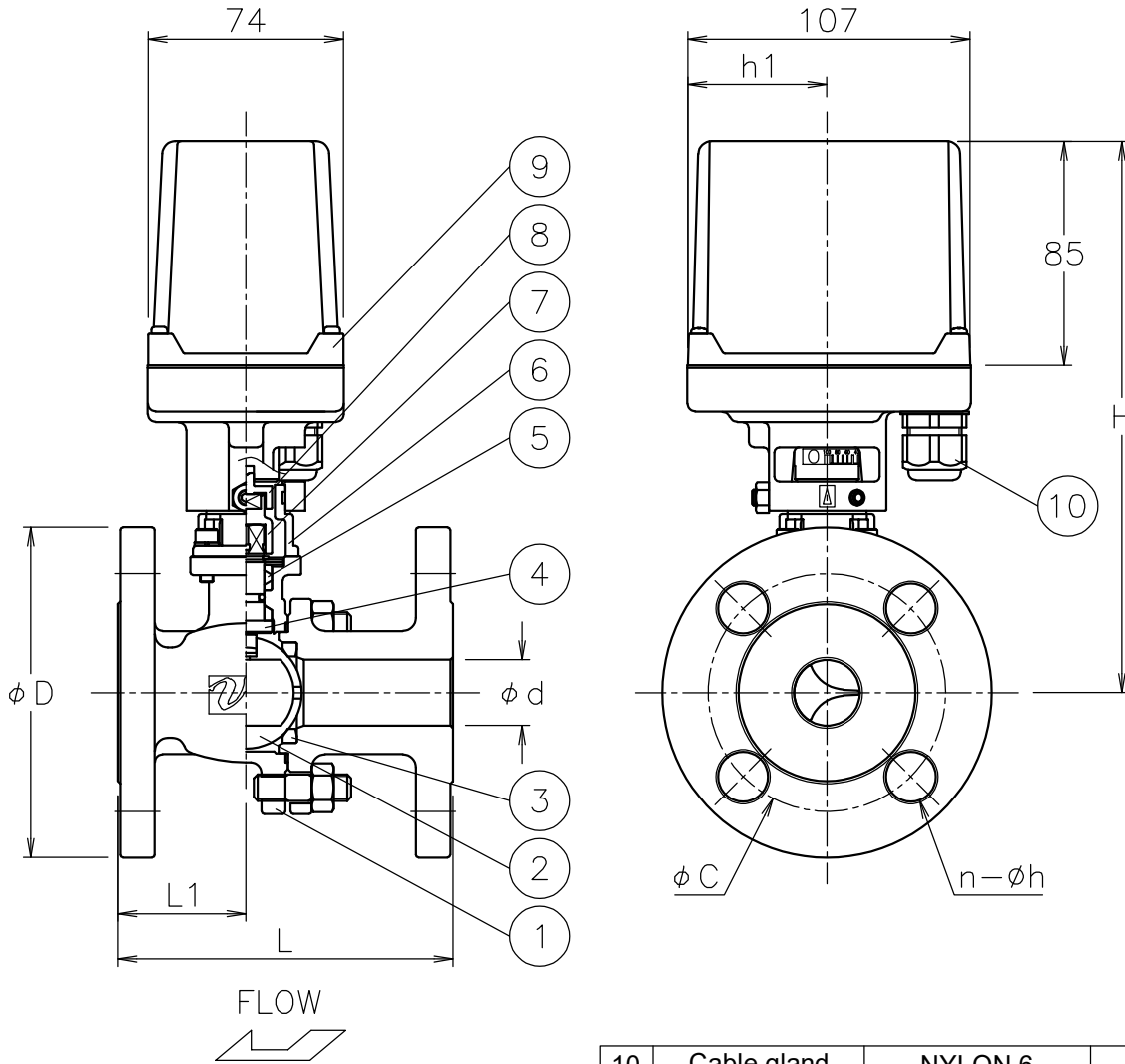



Size [mm]	d	L	L1	D	C	n-h	h1	H	Weight [kg]	Cv	Actuator	Sizing code
R15	(15)	108	40	95	70	4-15	36	179	3.1	1.3	PAX-050	0
							53	193	3.3		PAX-120	2
15	(15)	108	40	95	70	4-15	36	179	3.1	4	PAX-050	0
							53	193	3.3		PAX-120	2
20	(20)	117	48	100	75	4-15	53	196	3.8	7.5	PAX-120	0
25	(25)	127	48.5	125	90	4-19	53	209	5.2	12	PAX-120	0



NOTE

(a) Cable acceptance: 5ϕ to 10.5ϕ mm.

10	Cable gland	NYLON 6	1	G3/8 (a)
9	Actuator	ADC12/PC CASE	1	
8	Joint	SUS304	1	
7	Joint	SCS13A	1	
6	Bracket	SCS13A	1	
5	Packing	R-PTFE	1set	
4	Stem	SUS316	1	
3	Seat	R-PTFE	2	
2	Ball	SUS316/SCS14A	1	
1	Body	SCS14A	1	
No	DESCRIPTION	MATERIALS	REQ'D	REMARKS

			APPR'D	H.F	TITLE	J10K Flanged-end VR type motorized control valve			
			CHK'D	K.Y					
			DESIGN		MODEL	PAXVR**1UUG			
			DRAWN	S.O					
MARK	DATE	BY	DATE	'21-05-19	SCALE	NON	DWG No.	VR-*1UUG-AX5-EN	
REVISIONS			 NIPPON VALVE CONTROLS, INC.						
MV-2902									