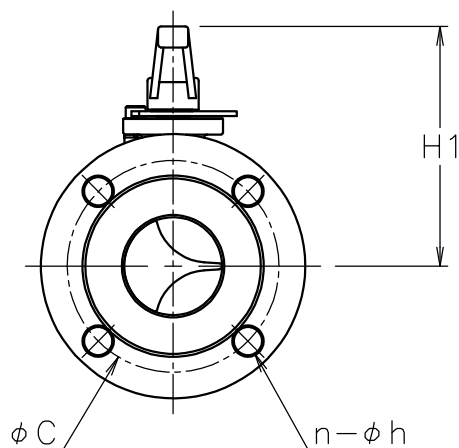
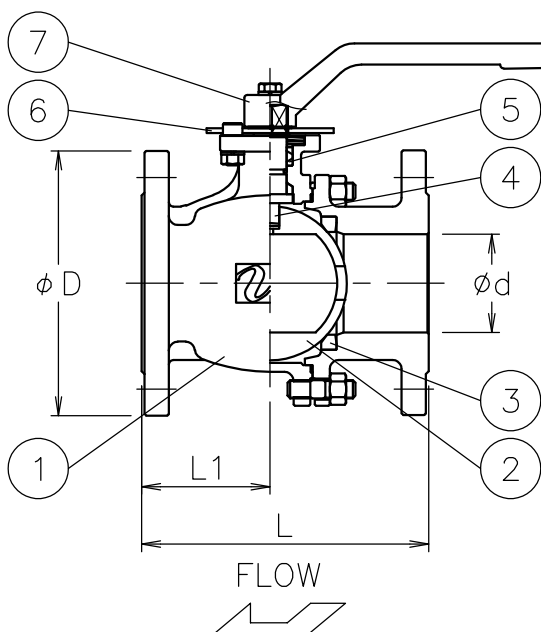
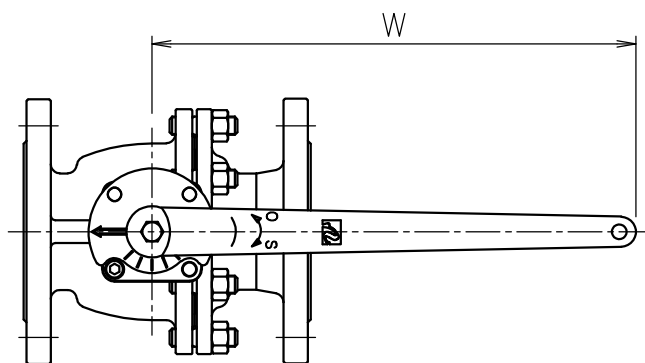



Valve DN	d	L	L1	D	C	n-h	W	H1	Weight (kg)	Cv	Actuator
R15 A	(15)	108	40	95	70	4-15	115	82	1.9	1.3	Lever
15 A								82	1.9	4	Lever
20 A	(20)	117	48	100	75	4-15	115	85	2.4	7.5	Lever
25 A	(25)	127	48.5	125	90	4-19	145	102	3.8	12	Lever
32 A	(32)	140	60	135	100	4-19	145	108	4.9	20	Lever
40 A	(40)	165	67.5	140	105	4-19	220	124	6.3	31	Lever
50 A	(50)	178	72	155	120	4-19	220	133	8.3	48	Lever
65 A	(65)	190	85	175	140	4-19	320	159	13	85	Lever
80 A	(80)	203	97	185	150	8-19	320	171	17	123	Lever



**NOTE**

(a) Lever handle is removed and shipped.

7	Lever handle	SCS13A	1	(a)
6	Position indicator	SUS304	1	
5	Packing	R-PTFE	1set	
4	Stem	SUS316	1	
3	Seat	R-PTFE	2	
2	Ball	SUS316/SCS14A	1	
1	Body	SCS14A	1	
No	DESCRIPTION	MATERIALS	REQ'D	REMARKS

			APPR'D	H.F	TITLE	J10K Flanged-end Valve DN: R15~80 A					
			CHK'D	K.Y		VR type ball valve					
			DESIGN		MODEL	MAXVRL-1UUG					
			DRAWN	P.O							
MARK	DATE	BY	DATE	'16-10-24	SCALE	NON	DWG No.	VR-1UUG-L-MA5-EN			
REVISIONS			 <b>NIPPON VALVE CONTROLS, INC.</b>								
MV-2554											