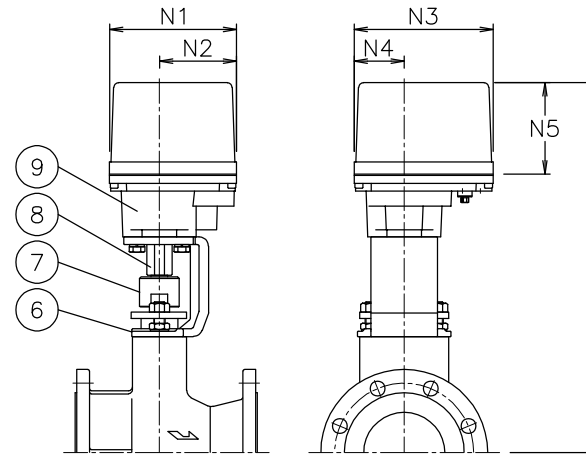
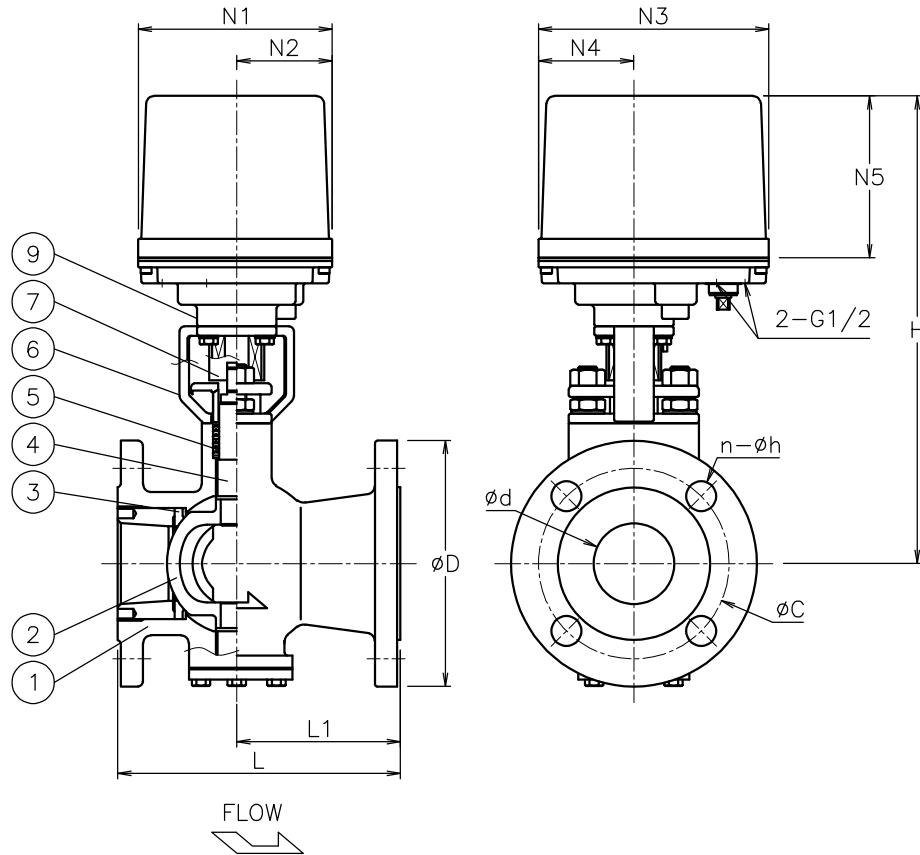
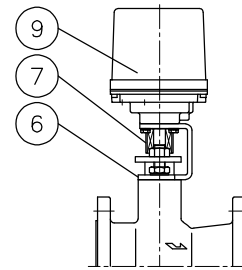


| Size [mm] | d  | L   | L1  | D   | C   | n-h  | N1  | N2 | N3  | N4 | N5  | H   | Weight [kg] | Cv  | Actuator | Sizing code |
|-----------|----|-----|-----|-----|-----|------|-----|----|-----|----|-----|-----|-------------|-----|----------|-------------|
| 25        | 25 | 127 | 72  | 125 | 90  | 4-19 | 122 | 60 | 145 | 60 | 102 | 243 | 6.3         | 28  | AEX-120  | 1           |
|           |    |     |     |     |     |      |     |    |     |    |     |     | 6.7         |     | AEX-360  | 0           |
| 40        | 38 | 165 | 95  | 140 | 105 | 4-19 | 122 | 60 | 145 | 60 | 102 | 273 | 9.9         | 75  | AEX-360  | 0           |
| 50        | 51 | 178 | 103 | 155 | 120 | 4-19 | 122 | 60 | 145 | 60 | 102 | 279 | 12          | 153 | AEX-360  | 1           |
|           |    |     |     |     |     |      |     |    |     |    |     |     | 12          |     | AEX-700  | 0           |
| 65        | 64 | 190 | 110 | 175 | 140 | 4-19 | 122 | 60 | 145 | 60 | 102 | 329 | 17          | 250 | AEX-700  | 1           |
|           |    |     |     |     |     |      | 160 | 97 | 175 | 63 | 115 | 425 | 23          |     | AEX-02K  | 0           |
| 80        | 76 | 203 | 113 | 185 | 150 | 8-19 | 122 | 60 | 145 | 60 | 102 | 334 | 18          | 350 | AEX-700  | 1           |
|           |    |     |     |     |     |      | 160 | 97 | 175 | 63 | 115 | 430 | 24          |     | AEX-02K  | 0           |



AEXV-\*01UUG-065  
AEXV-\*01UUG-080



AEXV-\*11UUG-065  
AEXV-\*11UUG-080

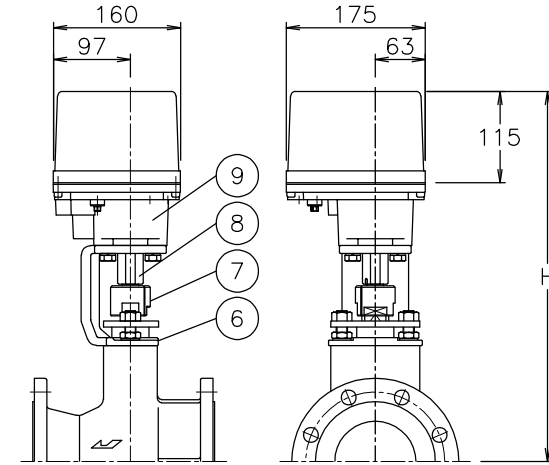
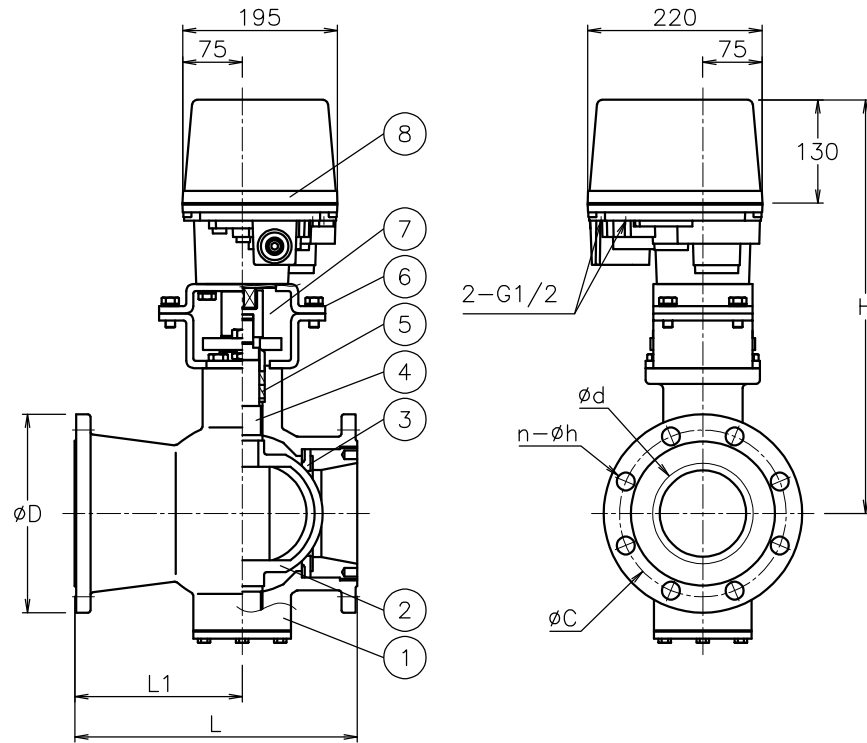
| 9  | Actuator    |                       | 1     |          |
|----|-------------|-----------------------|-------|----------|
| 8  | Joint       | SCS13A                | 1     |          |
| 7  | Joint       | SUS(LAK52)/<br>SUS304 | 1     | 065,080A |
|    |             | SUS(LAK52)            |       | 025~050A |
| 6  | Bracket     | SCPH2/SUS304          | 1     | 065,080A |
|    |             | SCS13A                |       | 025~050A |
| 5  | Packing     | N-PTFE                | 1set  |          |
| 4  | Stem        | SUS316                | 1     |          |
| 3  | Seat        | R-PTFE                | 1     |          |
| 2  | Ball        | SCS11                 | 1     | HCr PLTD |
| 1  | Body        | SCS14A                | 1     | ND       |
| No | DESCRIPTION | MATERIALS             | REQ'D | REMARKS  |

NOTE  
Actuator material: Aluminum alloy diecast cover.

ATTACHMENT  
Cable gland (nylon), G 1/2, for 6 $\phi$  to 12 $\phi$  cable.  
Plug.

|           |      |        |      |           |  |         |                 |  |
|-----------|------|--------|------|-----------|--|---------|-----------------|--|
|           |      | APPR'D | H.F  | TITLE     | J10K Flanged-end<br>V type electric actuated control valve |         |                 |  |
|           |      | CHK'D  | K.Y  | MODEL     | AEXV-**1UUG  |         |                 |  |
|           |      | DESIGN |      | SCALE     | NON  | DWG No. | V-*1UUG-EXA9-EN |  |
| MARK      | DATE | BY     | DATE | '17-04-04 |  |         |                 |  |
| REVISIONS |      |        |      |           |  |         |                 |  |
| MV-2605   |      |        |      |           |  |         |                 |  |
|           |      |        |      |           | NIPPON VALVE CONTROLS, INC.                                |         |                 |  |

| Size [mm] | d   | L   | L1  | D   | C   | n-h   | H   | Weight [kg] | Cv   | Actuator | Sizing code |
|-----------|-----|-----|-----|-----|-----|-------|-----|-------------|------|----------|-------------|
| 100       | 102 | 229 | 123 | 210 | 175 | 8-19  | 466 | 33          | 540  | AEX-02K  | 0           |
| 125       | 127 | 356 | 211 | 250 | 210 | 8-23  | 521 | 61          | 930  | AEX-06K  | 0           |
| 150       | 152 | 394 | 244 | 280 | 240 | 8-23  | 531 | 72          | 1320 | AEX-06K  | 0           |
| 200       | 203 | 457 | 257 | 330 | 290 | 12-23 | 579 | 105         | 2000 | AEX-06K  | 1           |



AEXV-\*01UUG-100

AEXV-\*01UUG-125  
AEXV-\*01UUG-150  
AEXV-\*11UUG-200

NOTE  
Actuator material: Aluminum alloy diecast cover.

ATTACHMENT  
Cable gland (nylon), G 1/2, for 6φ to 12φ cable.  
Plug.

| No | DESCRIPTION | MATERIALS                     | REQ'D | REMARKS                |
|----|-------------|-------------------------------|-------|------------------------|
| 9  | Actuator    |                               | 1     |                        |
| 8  | Joint       | SCS13A                        | 1     |                        |
| 7  | Joint       | SUSXM7/LAK52<br>SUS303/SUS304 | 1     | 125, 150A<br>100, 200A |
| 6  | Bracket     | S400<br>SCPH2                 | 1     | 125~200A<br>100A       |
| 5  | Packing     | PTFE                          | 1     |                        |
| 4  | Stem        | SUS316                        | 1     |                        |
| 3  | Seat        | R-PTFE                        | 1     |                        |
| 2  | Ball        | SCS11                         | 1     | HCrPLTD                |
| 1  | Body        | SCS14                         | 1     | NC                     |

| MARK      | DATE | BY | DATE | APPR'D | K.Y       | TITLE | J10K Flanged-end<br>V type electric actuated control valve |         |                 |  |  |
|-----------|------|----|------|--------|-----------|-------|--|---------|-----------------|--|--|
|           |      |    |      | CHK'D  | K.Y       |       |  |         |                 |  |  |
|           |      |    |      | DESIGN |           |       |  |         |                 |  |  |
|           |      |    |      | DRAWN  | P.O       | MODEL | AEXV-**1UUG  |         |                 |  |  |
|           |      |    |      | DATE   | '23-11-17 | SCALE | NON  | DWG No. | V-*1UUG-EXB3-EN |  |  |
| REVISIONS |      |    |      |        |           |       |  |         |                 |  |  |
| MV-3039   |      |    |      |        |           |       |  |         |                 |  |  |