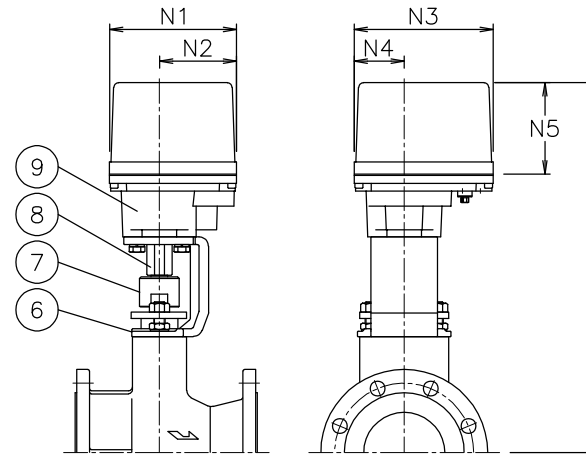
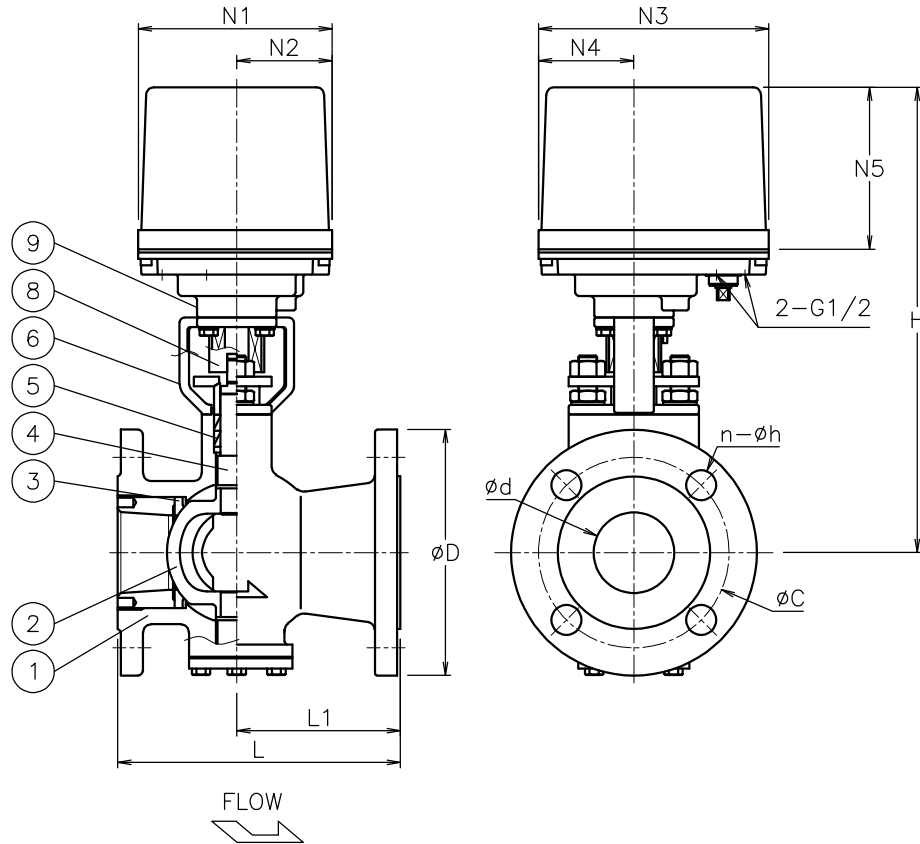
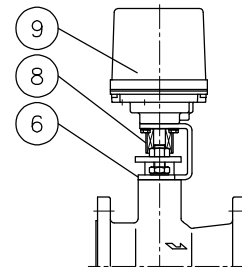


Size [mm]	d	L	L1	D	C	n-h	N1	N2	N3	N4	N5	H	Weight [kg]	Cv	Actuator	Sizing code
25	25	127	72	125	90	4-19	122	60	145	60	102	241	6.5	28	AEX-120	1
													6.9		AEX-360	0
40	38	165	95	140	105	4-19	122	60	145	60	102	272	11	75	AEX-360	0
50	51	178	103	155	120	4-19	122	60	145	60	102	277	13	153	AEX-360	1
													293		13	AEX-700
65	64	190	110	175	140	4-19	122	60	145	60	102	325	18	250	AEX-700	1
													24		0	
80	76	203	113	185	150	8-19	122	60	145	60	102	330	19	350	AEX-700	1
													25		0	
100	102	229	123	210	175	8-19	160	97	175	63	115	466	33	540	AEX-02K	0



AEXV-*01DUG-065
AEXV-*01DUG-080
AEXV-*01DUG-100



AEXV-*11DUG-065
AEXV-*11DUG-080

9	Actuator		1	
8	Joint	SCS13A	1	
7	Joint	SUS304	1	100A
		SUS(LAK52)/SUS304		065,080A
		SUS(LAK52)		025~050A
6	Bracket	SCPH2	1	100A
		SCPH2/SUS304		065,080A
		SCS13A		025~050A
5	Packing	PTFE	1	
4	Stem	SUS316	1	
3	Seat	R-PTFE	1	
2	Ball	SCS11	1	HCr PLTD
1	Body	FCD-S	1	NC
No	DESCRIPTION	MATERIALS	REQ'D	REMARKS

NOTE
Actuator material: Aluminum alloy diecast cover.

ATTACHMENT
Cable gland (nylon), G 1/2, for 6φ to 12φ cable.
Plug.

		APPR'D	H.F	TITLE	J10K Flanged-end V type electric actuated control valve			
		CHK'D	K.Y	MODEL	AEXV-**1DUG			
		DESIGN		SCALE	NON	DWG No.	V-*1DUG-EXA9-EN	
MARK	DATE	BY	DATE	'17-03-21				
REVISIONS								
MV-2594								