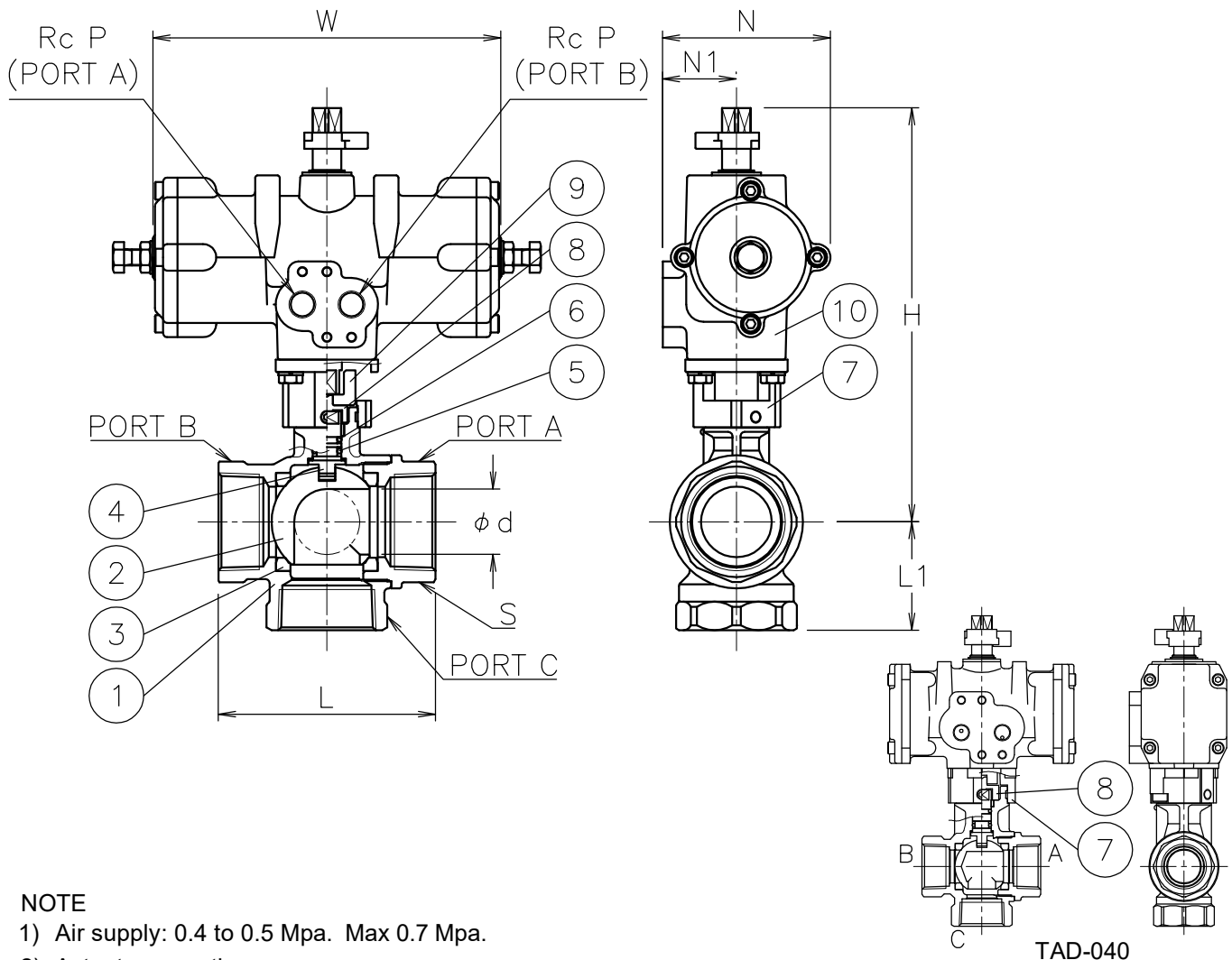


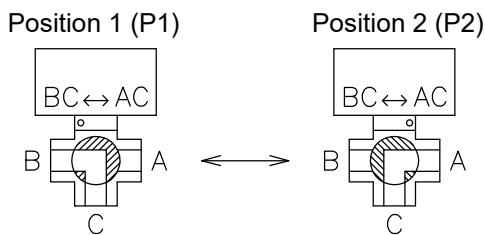
Size [mm]	S	d	L	L1	P	W	N	N1	H	Weight [kg]	Cv P1/P2	Actuator	Sizing code
15	Rc 1/2	14	67	34	1/8	110	57	32	134	1.4	5	TAD-040	0
20	Rc 3/4	18	70	35	1/8	110	57	32	147	1.5	8	TAD-040	0
25	Rc 1	20	81	41	1/4	170	82	36	195	2.3	13	TAD-050	0
32	Rc1 1/4	25	93	46	1/4	170	82	36	197	2.6	22	TAD-050	0
40	Rc1 1/2	32	106	53	1/4	170	82	36	203	3	36	TAD-050	0



NOTE

- 1) Air supply: 0.4 to 0.5 Mpa. Max 0.7 Mpa.
- 2) Actuator operation
 Air to port A : Position 1.
 Air to port B : Position 2.

Flow paths



10	Actuator		1	TAD
9	Joint	ZDC2	1	
8	Joint	SUS304	1	
7	Bracket	BERIC/ZDC2	1	
6	O-ring	NBR	1	
5	O-ring	FKM	1	
4	Stem	SUS304	1	Cr plated
3	Seat	R-PTFE	2	
2	Ball	SUS304/SCS13A	1	
1	Body	SCS13A	1	
No	DESCRIPTION	MATERIALS	REQ'D	REMARKS

			APPR'D	H.F	TITLE	Threaded End Rc (double-acting type) TV type pneumatic actuated 3 way ball valve				
			CHK'D	K.Y		MODEL	TADTV905TTP			
			DESIGN		SCALE		NON	DWG No.	TV-905TTP-TA4-EN	
MARK	DATE	BY	DATE	'17-05-18						
REVISIONS										
MV-2620										