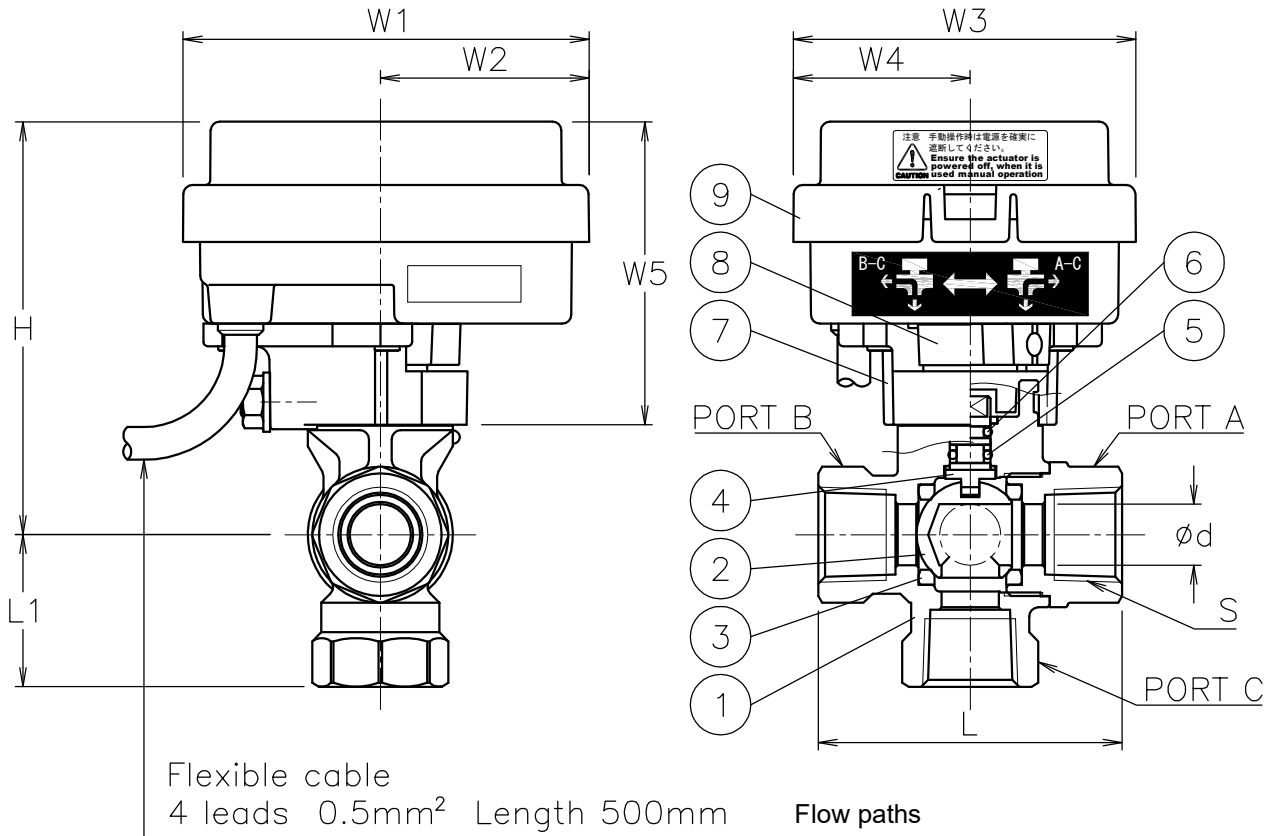
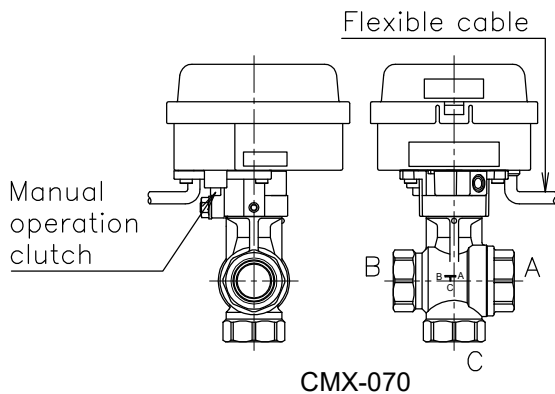


Size [mm]	S	d	L	L1	W1	W2	W3	W4	W5	H	Weight [kg]	Cv		Actuator	Sizing code
												P1/P2	Effective Cv value		
15	Rc 1/2	14	67	34	90	46	76	39	44.5	91	0.7	5	3	CMX-030	0
					105	55	96	48	61	112	1			CMX-070	2
20	Rc 3/4	18	70	35	90	46	76	39	44.5	104	0.9	8	5	CMX-030	1
					105	55	96	48	61	125	1.2			CMX-070	0
25	Rc 1	20	81	41	105	55	96	48	61	126	1.4	13	9	CMX-070	0



**NOTE**  
 CMX-070 can be specified by 24V DC.  
 For manual operation on CMX-070,  
 press the clutch button while operating it.



9	Actuator	PC Case	1	
8	Joint	PPS	1	
7	Bracket	PPS	1	
6	O-ring	NBR	1	
5	O-ring	FKM	1	
4	Stem	SUS304	1	Cr plated
3	Seat	R-PTFE	2	
2	Ball	SUS304	1	
1	Body	SCS13A	1	
No	DESCRIPTION	MATERIALS	REQ'D	REMARKS

			APPR'D	H.F	TITLE	Threaded End Rc TV type motorized 3 way control valve				
			CHK'D	K.Y		MODEL	CMXTV**5TTP			
			DESIGN		MARK		DATE	BY	DATE	'17-05-17
			DRAWN	S.O			SCALE	NON	DWG No.	TV-*5TTP-MX5-EN
REVISIONS										
MV-2620										