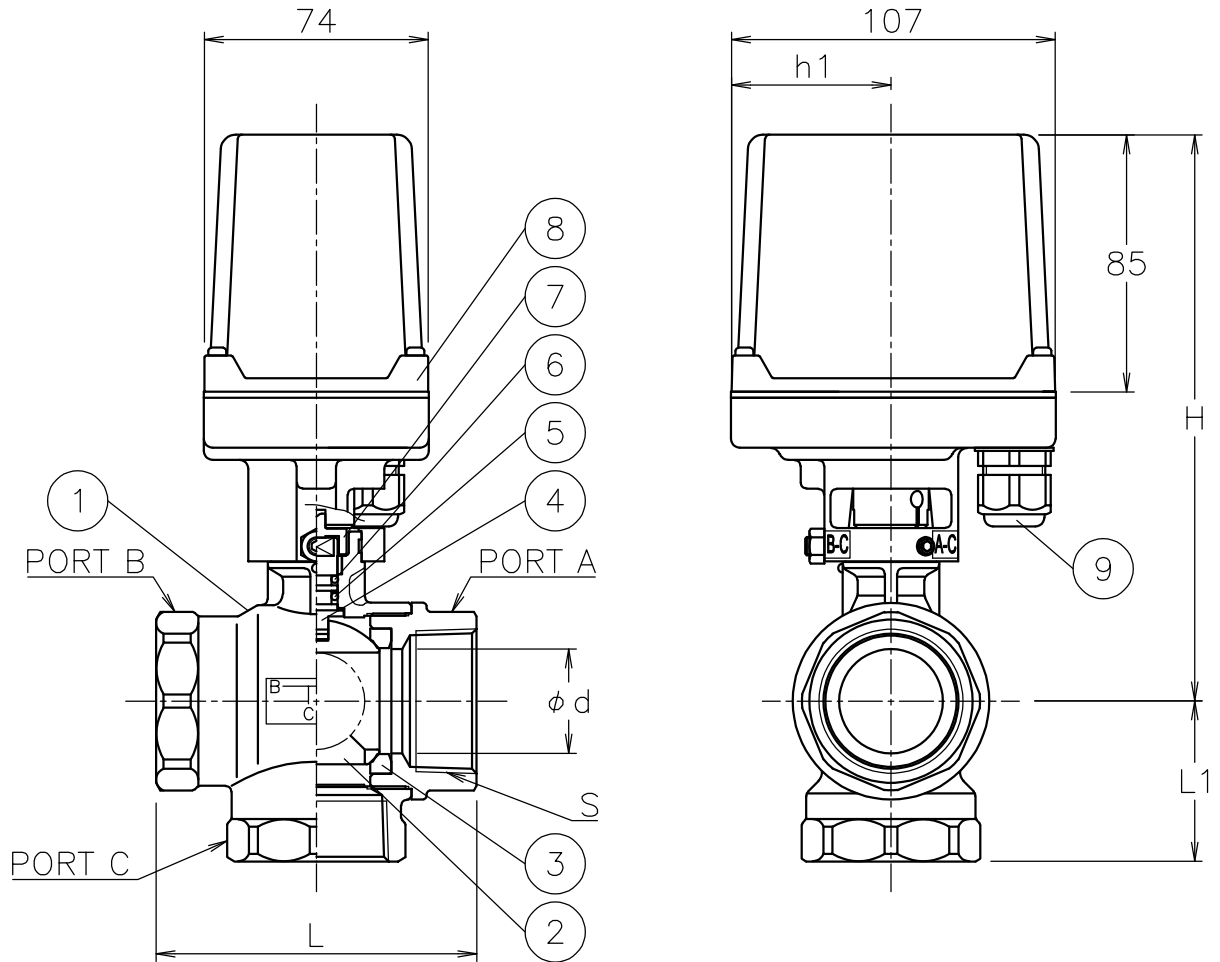


Size [mm]	S	d	L	L1	h1	H	Weight [kg]		Cv P1/P2	Actuator		Sizing code
							AH1	DM*				
15	Rc 1/2	14	67	34	36	151(124)	1.5	1.7(1.3)	5	AH1-030	DM*-030	0
20	Rc 3/4	18	70	35	36	164	1.9	1.9	8	AH1-070	DM*-070	0
25	Rc 1	20	81	41	36	165	2.1	2.1	13	AH1-070	DM*-070	0
32	Rc1 1/4	25	93	46	53	181	2.7	2.5	22	AH1-180	DM*-180	0
40	Rc1 1/2	32	106	53	53	187	3.2	3	36	AH1-180	DM*-180	0

( ) : DM2-030



**NOTE**

(a) Cable acceptance 5φ to 10.5φ mm.

**Flow paths**

Position 1 (P1)

Position 2 (P2)



9	Cable gland	NYLON 6	1	G 3/8 (a)
8	Actuator	ADC12/PC Cover	1	
7	Joint	SUS304	1	
6	O-ring	NBR	1	
5	O-ring	FKM	1	
4	Stem	SUS304	1	Cr plated
3	Seat	R-PTFE	2	
2	Ball	SUS304/SCS13A	1	
1	Body	SCS13A	1	
No	DESCRIPTION	MATERIALS	REQ'D	REMARKS

			APPR'D	H.F	TITLE	Threaded End Rc TV type motorized 3 way ball valve					
			CHK'D	K.Y		MODEL	AH1TV*05TTP DM0TV005TTP DM2TV005TTP				
			DESIGN		SCALE		NON	DWG No.	TV-05TTP-CM12-EN		
MARK	DATE	BY	DATE	'21-04-02							
REVISIONS											
MV-2890											