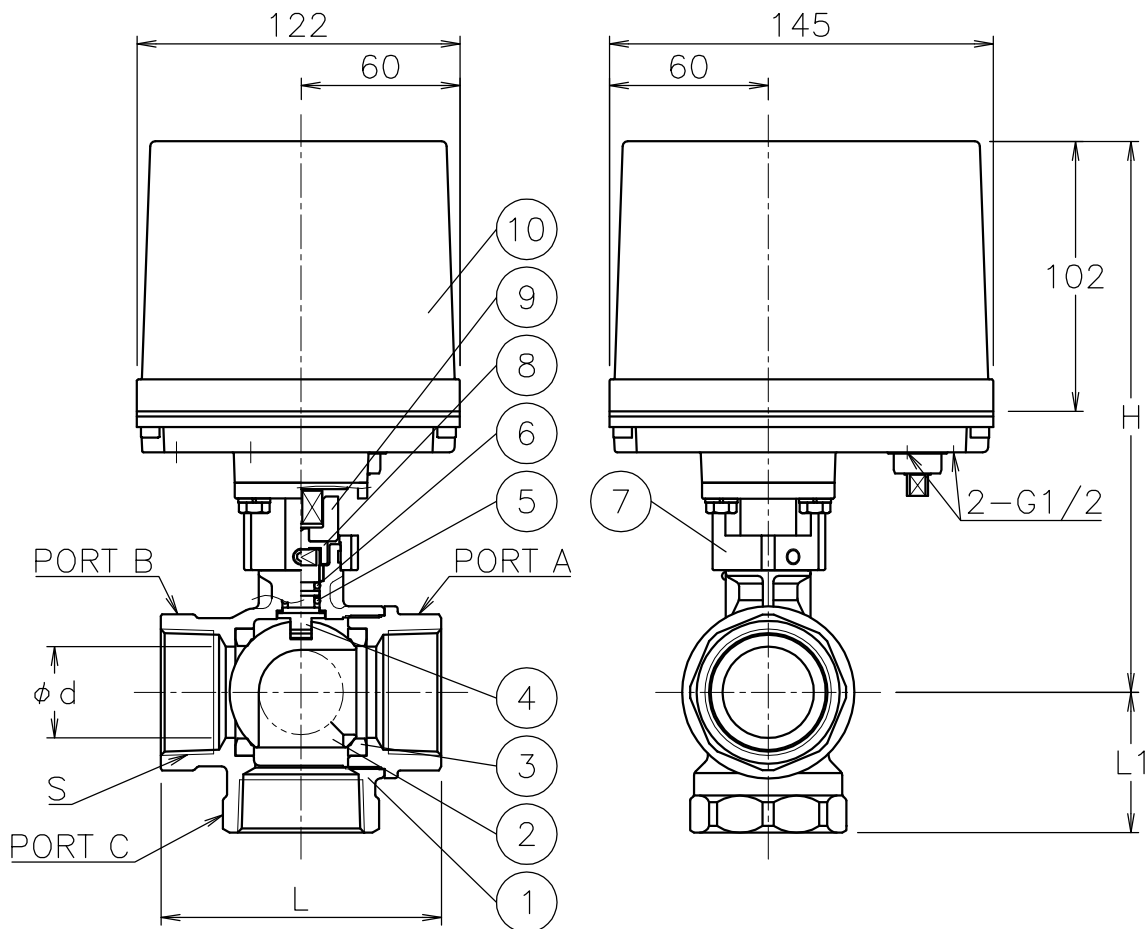


Size [mm]	S	d	L	L1	H	Weight [kg]	Cv		Actuator	Sizing code
							P1/P2	Effective Cv value		
15	Rc 1/2	14	67	34	187	2.8	5	3	AEX-120	0
20	Rc 3/4	18	70	35	200	2.9	8	5	AEX-120	0
25	Rc 1	20	81	41	201	3.2	13	9	AEX-120	0
						3.6			AEX-360	2
32	Rc1 1/4	25	93	46	203	3.4	22	15	AEX-120	0
						3.8			AEX-360	2
40	Rc1 1/2	32	106	53	209	3.9	36	25	AEX-120	0
						4.3			AEX-360	2



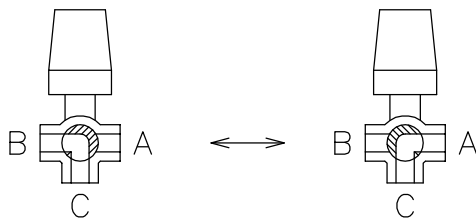
**NOTE
ATTACHMENT**

Cable gland (nylon), G 1/2, for 6φ to 12φ cable.
Plug.

Flow paths

Position 1 (P1)

Position 2 (P2)



10	Actuator	Aluminum alloy die-cast cover	1	
9	Joint	ZDC2	1	
8	Joint	SUS304	1	
7	Bracket	ZDC2	1	
6	O-ring	NBR	1	
5	O-ring	FKM	1	
4	Stem	SUS304	1	Cr plated
3	Seat	R-PTFE	2	
2	Ball	SUS304/SCS13A	1	
1	Body	SCS13A	1	
No	DESCRIPTION	MATERIALS	REQ'D	REMARKS

			APPR'D	H.F	TITLE	Threaded End Rc TV type electric actuated 3 way control valve				
			CHK'D	K.Y		MODEL	AEXTV**5TTP			
			DESIGN		SCALE		NON	DWG No.	TV-*5TTP-EX9-EN	
			DRAWN	S.O						
MARK	DATE	BY	DATE	'17-05-17						
REVISIONS										
MV-2620										