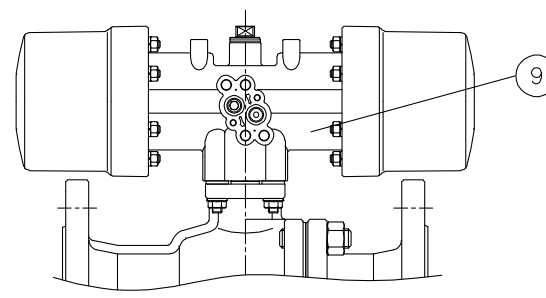
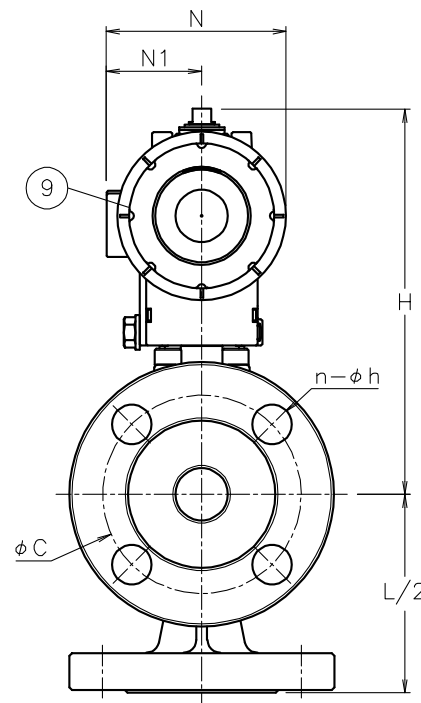
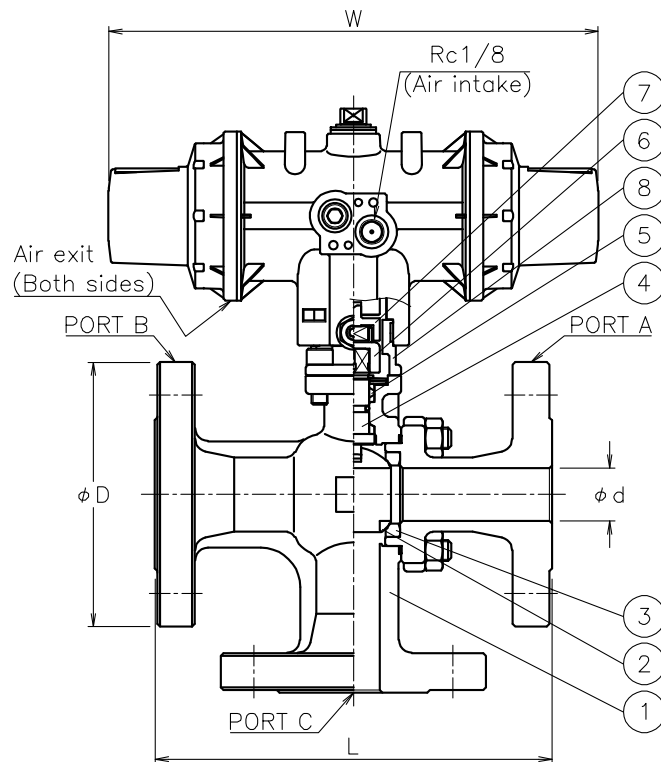


PS\*TR901TTP-025



PS\*TR901TTP-040  
PS\*TR901TTP-050

Size [mm]	d	L	D	C	n-h	W	N	N1	H	Weight [kh]	Cv P1/P2	Actuator		Sizing code
20	20	150	100	75	4-15	185	68	36	146	4	24	PSO-04D	PSC-04D	0
25	25	170	125	90	4-19	247	82	44	185	6.8	40	PSO-05D	PSC-05D	0
40	40	200	140	105	4-19	288	95	48	168	11	100	PSO-05W	PSC-05W	0
50	50	230	155	120	4-19	288	95	48	175	13	170	PSO-05W	PSC-05W	0

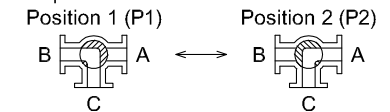


NOTE

- 1) Air supply: 0.4 to 0.5 Mpa. Max 0.7 Mpa.
- 2) Actuator operation

	Air to intake port	Spring return
PSO	P2	P1
PSC	P1	P2

Flow paths



No	DESCRIPTION	MATERIALS	REQ'D	REMARKS
9	Actuator	PPS body	1	PSO/C
8	Bracket	SCS13A	1	
7	Joint	SUS304	1	
6	Joint	SUS304/SCS13A	1	
5	Packing	R-PTFE	1set	
4	Stem	SUS304	1	
3	Seat	R-PTFE	2	
2	Ball	SUS304/SCS13A	1	
1	Body	SCS13A	1	

MARK	DATE	BY	DATE	APPR'D	K.Y	TITLE	J10K Flanged-end (single-acting type) TR type pneumatic actuated 3 way ball valve								
				CHK'D	K.Y	MODEL	PSOTR901TTP	PSCTR901TTP							
				DESIGN		SCALE	NON	DWG No.	TR-901TTP-DA1-EN						
				DRAWN	T.A										
REVISIONS											NIPPON VALVE CONTROLS, INC.				
MV-2987															