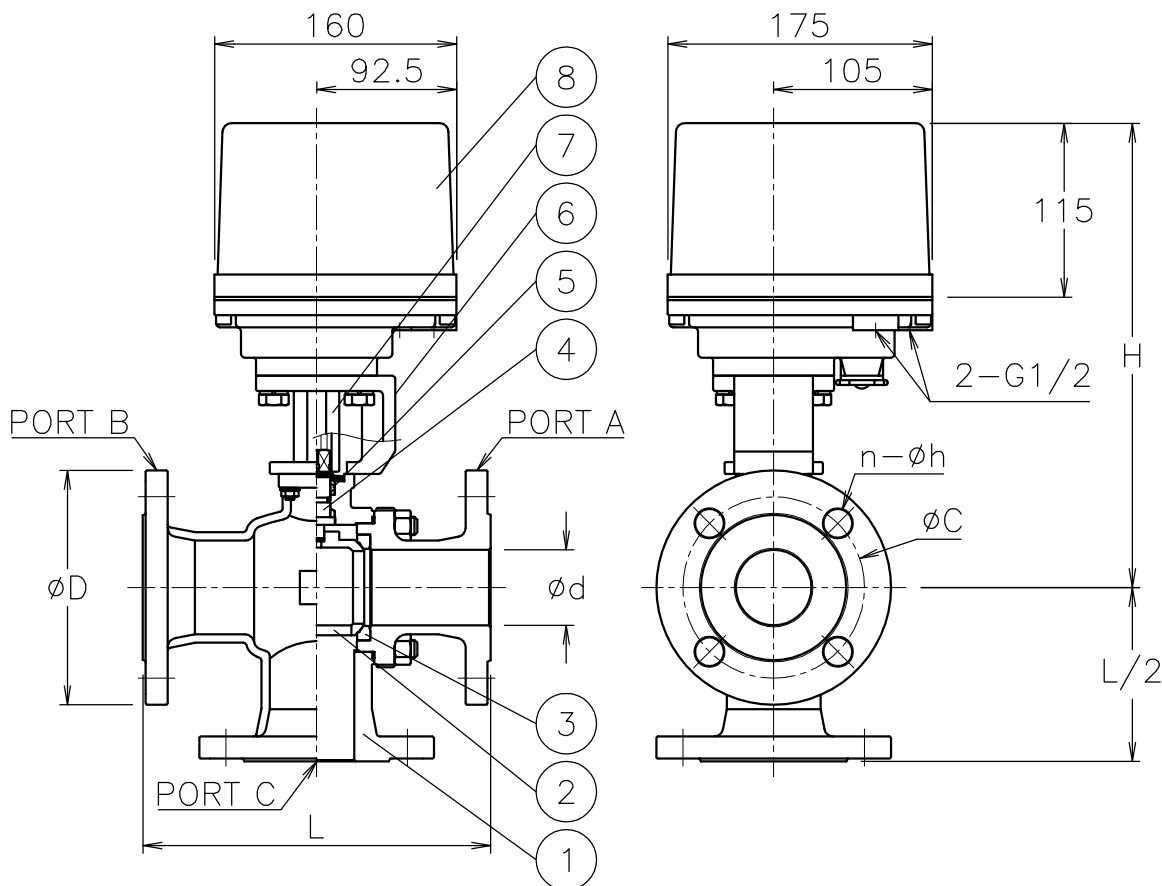


Size [mm]	d	L	D	C	n-h	H	Weight [kg]	Cv P1/P2	Actuator			Sizing code
20	20	150	100	75	4-15	277	9.7	24	HD1-300	HD2-300	HD0-300	0
25	25	170	125	90	4-19	284	12	40	HD1-300	HD2-300	HD0-300	0
40	40	200	140	105	4-19	299	15	100	HD1-300	HD2-300	HD0-300	0
50	50	230	155	120	4-19	307	18	170	HD1-700	HD2-700	HD0-700	0
65	65	260	175	140	4-19	330	24	240	HD1-700	HD2-700	HD0-700	0
80	80	280	185	150	8-19	342	27	380	HD1-700	HD2-700	HD0-700	0
						364	29		HD1-02K	HD2-02K	HD0-02K	2
100	100	340	210	175	8-19	390	41	680	HD1-02K	HD2-02K	HD0-02K	0



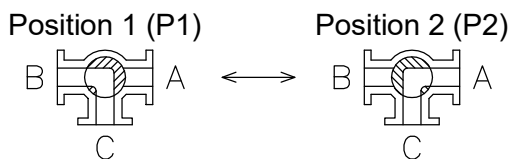
**NOTE**

Actuator material: Aluminum alloy diecast cover.


**ATTACHMENT**

Cable gland (nylon), G 1/2, for 6φ to 12φ cable.  
Plug.

**Flow paths**



8	Actuator		1	
7	Joint	SCS13A	1	
6	Bracket	SCS13A	1	
5	Packing	R-PTFE	1set	
4	Stem	SUS304	1	
3	Seat	R-PTFE	2	
2	Ball	SUS304/SCS13A	1	
1	Body	SCS13A	1	
No	DESCRIPTION	MATERIALS	REQ'D	REMARKS

			APPR'D	H.F	TITLE	J10K Flanged-end TR type electric actuated 3 way ball valve					
			CHK'D	K.Y							
			DESIGN		MODEL	HD1TR**1TTP      HD0TR0*1TTP HD2TR**1TTP					
			DRAWN	S.O							
MARK	DATE	BY	DATE	'17-06-26	SCALE	NON	DWG No.	TR-*1TTP-HD7-EN			
REVISIONS			 <b>NIPPON VALVE CONTROLS, INC.</b>								
MV-2622											