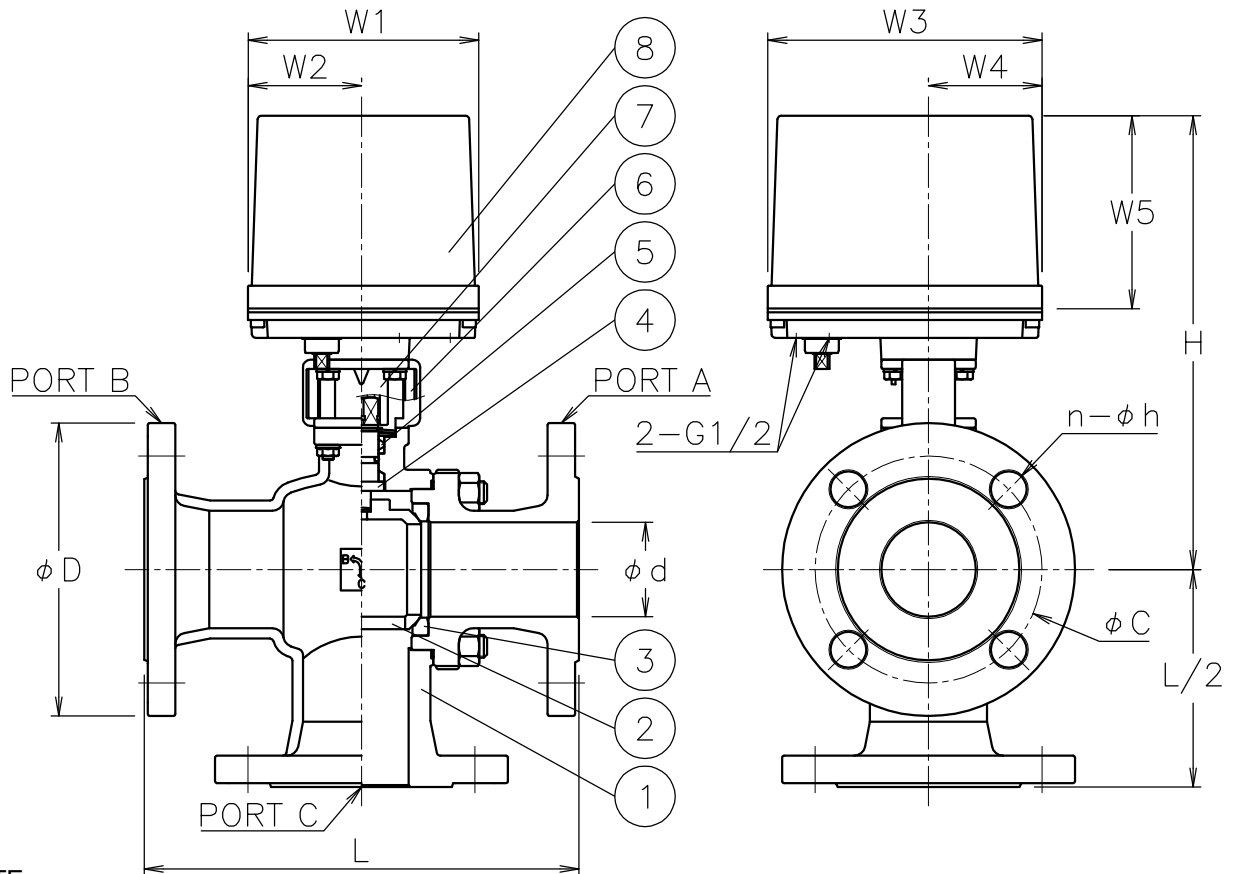


| Size [mm] | d   | L   | D   | C   | n-h  | W1  | W2 | W3  | W4 | W5  | H   | Weight [kg] | Cv                 |       | Actuator | Sizing code |
|-----------|-----|-----|-----|-----|------|-----|----|-----|----|-----|-----|-------------|--------------------|-------|----------|-------------|
|           |     |     |     |     |      |     |    |     |    |     |     |             | Effective Cv value | P1/P2 |          |             |
| 20        | 20  | 150 | 100 | 75  | 4-15 | 122 | 60 | 145 | 60 | 102 | 210 | 5.7         | 10                 | 24    | AEX-120  | 0           |
| 25        | 25  | 170 | 125 | 90  | 4-19 | 122 | 60 | 145 | 60 | 102 | 217 | 7.7         | 20                 | 40    | AEX-120  | 0           |
|           |     |     |     |     |      | 122 | 60 | 145 | 60 | 102 | 217 | 8.1         |                    |       | AEX-360  | 2           |
| 40        | 40  | 200 | 140 | 105 | 4-19 | 122 | 60 | 145 | 60 | 102 | 232 | 12          | 60                 | 100   | AEX-360  | 0           |
| 50        | 50  | 230 | 155 | 120 | 4-19 | 122 | 60 | 145 | 60 | 102 | 240 | 14          | 110                | 170   | AEX-360  | 0           |
|           |     |     |     |     |      | 122 | 60 | 145 | 60 | 102 | 256 | 14          |                    |       | AEX-700  | 2           |
| 65        | 65  | 260 | 175 | 140 | 4-19 | 122 | 60 | 145 | 60 | 102 | 287 | 21          | 150                | 240   | AEX-700  | 0           |
| 80        | 80  | 280 | 185 | 150 | 8-19 | 122 | 60 | 145 | 60 | 102 | 299 | 23          | 240                | 380   | AEX-700  | 0           |
|           |     |     |     |     |      | 160 | 97 | 175 | 63 | 115 | 357 | 28          |                    |       | AEX-02K  | 2           |
| 100       | 100 | 340 | 210 | 175 | 8-19 | 160 | 97 | 175 | 63 | 115 | 383 | 41          | 440                | 680   | AEX-02K  | 0           |



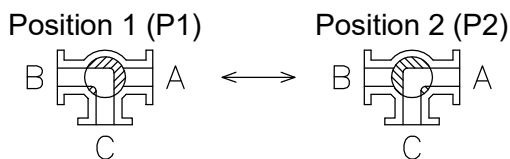
**NOTE**

Actuator material: Aluminum alloy diecast cover.

**ATTACHMENT**

Cable gland (nylon), G 1/2, for 6φ to 12φ cable.  
Plug.

**Flow paths**



| 8  | Actuator    |               | 1     |         |
|----|-------------|---------------|-------|---------|
| 7  | Joint       | SUS304/SCS13A | 1     |         |
| 6  | Bracket     | SCS13A        | 1     |         |
| 5  | Packing     | R-PTFE        | 1set  |         |
| 4  | Stem        | SUS304        | 1     |         |
| 3  | Seat        | R-PTFE        | 2     |         |
| 2  | Ball        | SUS304/SCS13A | 1     |         |
| 1  | Body        | SCS13A        | 1     |         |
| No | DESCRIPTION | MATERIALS     | REQ'D | REMARKS |

|           |      |    |        |           |       |                                                                   |         |                 |
|-----------|------|----|--------|-----------|-------|-------------------------------------------------------------------|---------|-----------------|
|           |      |    | APPR'D | H.F       | TITLE | J10K Flanged-end<br>TR type electric actuated 3 way control valve |         |                 |
|           |      |    | CHK'D  | K.Y       |       |                                                                   |         |                 |
|           |      |    | DESIGN |           | MODEL | AEXTR**1TTP                                                       |         |                 |
|           |      |    | DRAWN  | S.O       |       |                                                                   |         |                 |
| MARK      | DATE | BY | DATE   | '17-07-20 | SCALE | NON                                                               | DWG No. | TR-*1TTP-EX8-EN |
| REVISIONS |      |    |        |           |       |                                                                   |         |                 |
| MV-2622   |      |    |        |           |       |                                                                   |         |                 |