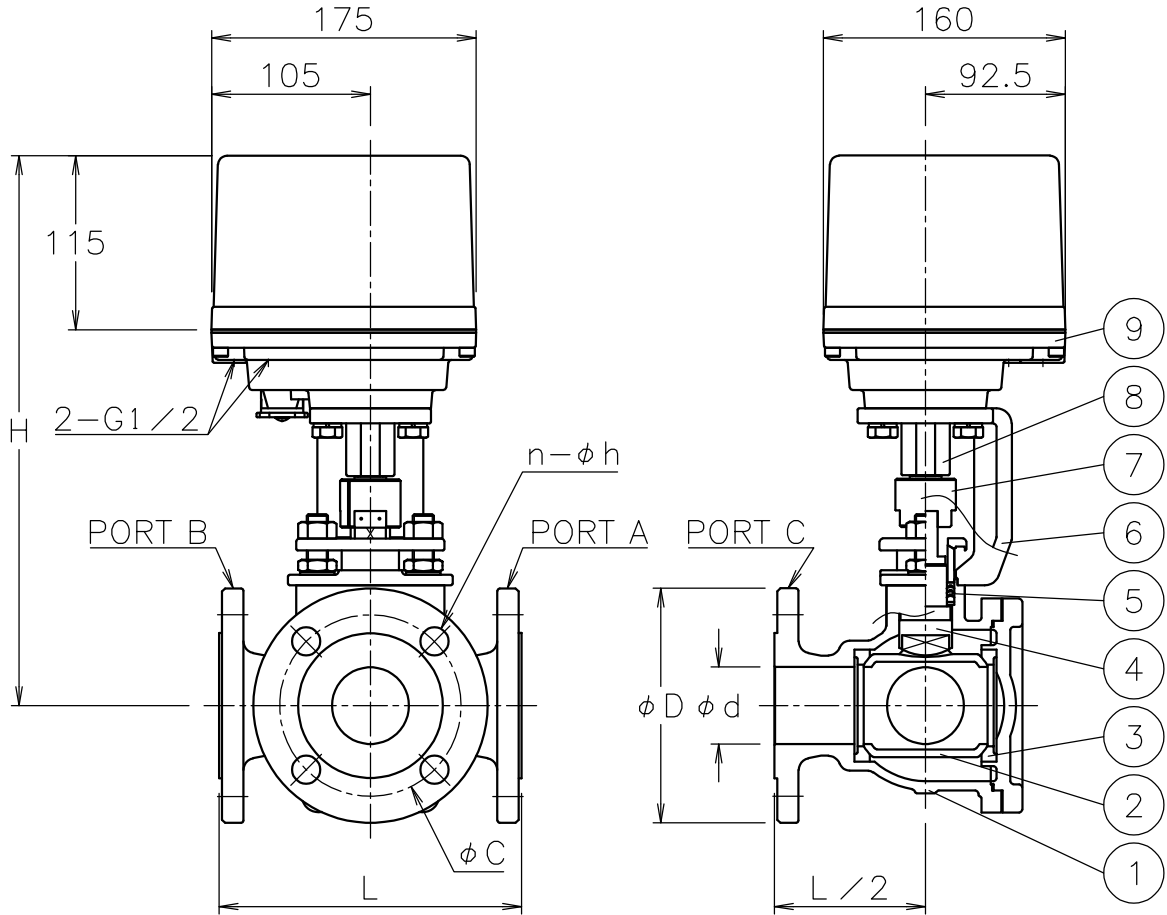


Size (mm)	d	L	D	C	n-h	H	Weight (kg)	Cv (straight port)	Actuator			Sizing code
25 A	25	160	125	90	4-19	314	14	26 (45)	AD1-300	AD2-300	AD0-300	0
40 A	38	180	140	105	4-19	328	16	65 (129)	AD1-700	AD2-700	AD0-700	0
50 A	51	200	155	120	4-19	364	22	110 (219)	AD1-700	AD2-700	AD0-700	0

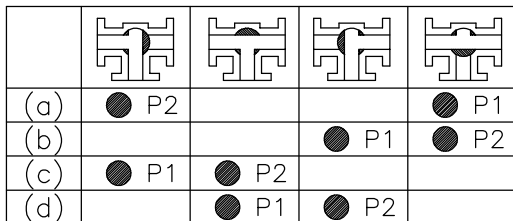


**NOTE**

**Attachment**

- Cable gland(nylon), G1/2, for φ6~12 cable
- Plug

**Flow paths (Top view of valve)**



4 TYPE : (a) ~ (d)

9	Actuator		1	
8	Joint	SCS13A	1	
7	Joint	SUS304	1	050A
		SCS13A		025,040A
6	Bracket	SCPH2	1	
5	Packing	N-PTFE	1	
4	Stem	SUS304	1	
3	Seat	N-PTFE	4	
2	Ball	SCS13A	1	
1	Body	SCS13A	1	
No	DESCRIPTION	MATERIALS	REQ'D	REMARKS

			APPR'D	H.F	TITLE	J10K Flanged-end T4 type electric actuated 3 way ball valve		
			CHK'D	K.Y				
			DESIGN		MODEL	AD1T4*01TTT		AD0T4001TTT
			DRAWN	P.O		AD2T4*01TTT		
MARK	DATE	BY	DATE	'21-08-27	SCALE	NON	DWG No.	T4-01TTT-AD12-EN
REVISIONS			<b>NIPPON VALVE CONTROLS, INC.</b>					
MV-2919								