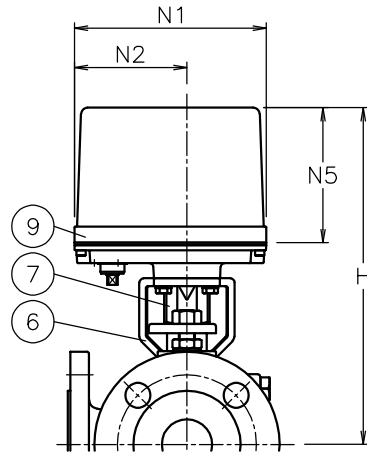
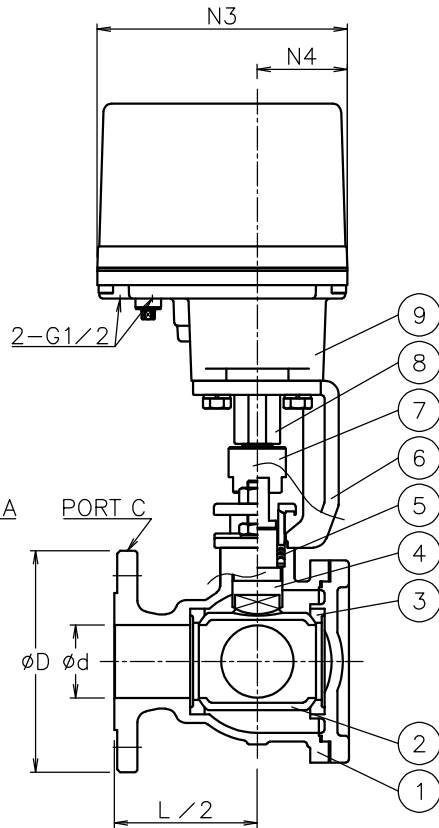
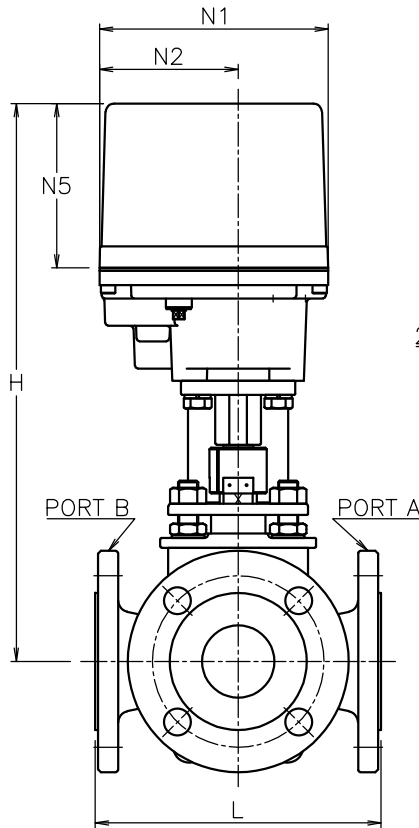


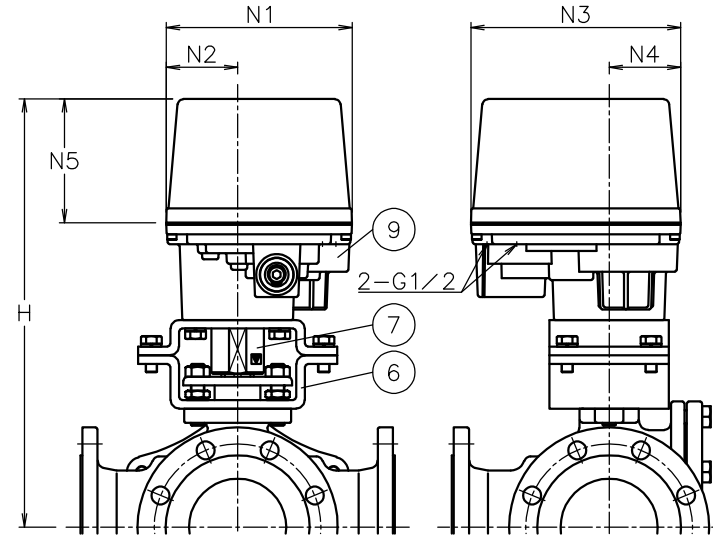
AE*T4*01DTT-050



AE*T4*01DTT-025
AE*T4*01DTT-040



| Size (mm) | d | L | D | C | n-h | N1 | N2 | N3 | N4 | N5 | H | Weight (kg) | Cv (straight port) | Actuator | | Sizing code |
|-----------|-----|-----|-----|-----|------|-----|----|-----|----|-----|-----|-------------|--------------------|----------|---------|-------------|
| 25 A | 25 | 160 | 125 | 90 | 4-19 | 122 | 60 | 145 | 60 | 102 | 241 | 9.9 | 26 (45) | AE1-360 | AE2-360 | 0 |
| 40 A | 38 | 180 | 140 | 105 | 4-19 | 122 | 60 | 145 | 60 | 102 | 255 | 13 | 65 (129) | AE1-360 | AE2-360 | 0 |
| 50 A | 51 | 200 | 155 | 120 | 4-19 | 122 | 60 | 145 | 60 | 102 | 295 | 17 | 110(219) | AE1-700 | AE2-700 | 0 |
| | | | | | | 160 | 97 | 175 | 63 | 115 | 391 | 24 | | AE1-02K | AE2-02K | 2 |
| 65 A | 64 | 240 | 175 | 140 | 4-19 | 160 | 97 | 175 | 63 | 115 | 402 | 30 | 160(300) | AE1-02K | AE2-02K | 0 |
| 80 A | 76 | 260 | 185 | 150 | 8-19 | 160 | 97 | 175 | 63 | 115 | 430 | 39 | 260(469) | AE1-02K | AE2-02K | 0 |
| 100 A | 102 | 330 | 210 | 175 | 8-19 | 160 | 97 | 175 | 63 | 115 | 445 | 46 | 480(820) | AE1-02K | AE2-02K | 0 |
| | | | | | | 195 | 75 | 220 | 75 | 130 | 450 | 52 | | AE1-06K | AE2-06K | 2 |



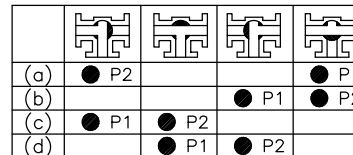
AE*T4*21DTT-100

NOTE

Attachment

- Cable gland(nylon), G1/2, for $\phi 6\sim 12$ cable
- Plug

Flow paths (Top view of valve)

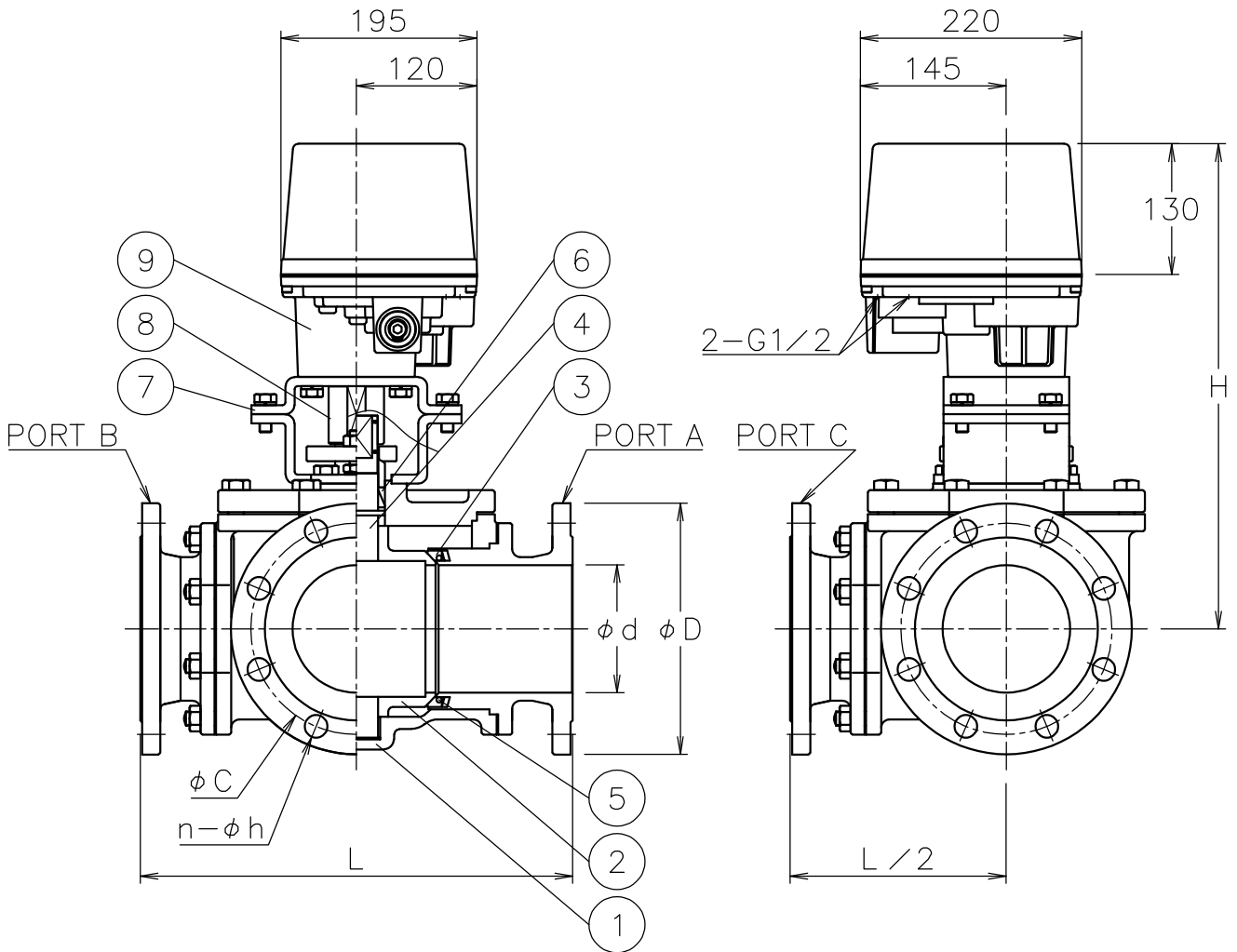


4 TYPE : (a) ~ (d)

| | | | | |
|----|-------------|-------------------|-------|---------------------------------|
| 9 | Actuator | | 1 | |
| 8 | Joint | SCS13A | 1 | |
| 7 | Joint | SUSXM7/LAK52 | 1 | 100A(Sizing code 2) |
| | | SUS304 | | 065,080A 100A(Sizing code 0) |
| | | SUS(LAK52)/SUS304 | | 50A 025,040A |
| 6 | Bracket | SCPH2/SS400 | 1 | 100A |
| | | SCPH2 | | 065,080A |
| | | SUS304/SCPH2 | | 050A |
| | | SCS13A | | 025,040A |
| 5 | Packing | N-PTFE | 1 | |
| 4 | Stem | SUS304 | 1 | |
| 3 | Seat | N-PTFE | 4 | |
| 2 | Ball | SCS13A | 1 | |
| 1 | Body | FCD400 | 1 | |
| No | DESCRIPTION | MATERIALS | REQ'D | REMARKS |

| | | | | | | | | | |
|-----------|------|----|--------|-----------|-----------------------------|--|---------|-------------------|--|
| | | | APPR'D | K.Y | TITLE | J10K Flanged-end T4 type electric actuated 3 way ball valve | | | |
| | | | CHK'D | K.Y | MODEL | AE1T4**1DTT AE2T4**1DTT | | | |
| | | | DESIGN | | SCALE | NON | DWG No. | T4-*1DTT-AEA14-EN | |
| MARK | DATE | BY | DATE | '23-11-17 | | | | | |
| REVISIONS | | | | | NIPPON VALVE CONTROLS, INC. | | | | |
| MV-3039 | | | | | | | | | |

| Size (mm) | d | L | D | C | n-h | H | Weight (kg) | Cv (straight port) | Actuator | | Sizing code |
|-----------|-----|-----|-----|-----|------|-----|-------------|--------------------|----------|---------|-------------|
| 125 A | 127 | 430 | 250 | 210 | 8-23 | 483 | 99 | 770(1400) | AE1-06K | AE2-06K | 0 |
| 150 A | 152 | 500 | 280 | 240 | 8-23 | 495 | 122 | 1150(2000) | AE1-06K | AE2-06K | 0 |

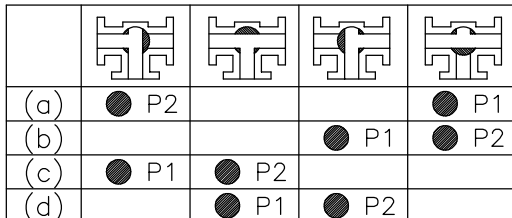


NOTE

Attachment

- Cable gland (nylon), G1/2, for $\phi 6 \sim 12$ cable
- Plug

Flow paths (Top view of valve)



4 TYPE : (a) ~ (d)

| 9 | Actuator | | 1 | |
|----|-------------|--------------|-------|---------|
| 8 | Joint | SUSXM7/LAK52 | 1 | |
| 7 | Bracket | SS400 | 1 | |
| 6 | Packing | PTFE | 1 | |
| 5 | O-ring | NBR | 3 | |
| 4 | Stem | SUS420J2 | 1 | |
| 3 | Seat | N-PTFE | 3 | |
| 2 | Ball | SCS13 | 1 | |
| 1 | Body | FCD-S | 1 | |
| No | DESCRIPTION | MATERIALS | REQ'D | REMARKS |

| | | | | | | | | | | | | | | | |
|--|--|--|--------|-----|-------|--|------------------------------|----------------------|----|------|-----------|-------|-----|---------|------------------|
| | | | APPR'D | K.Y | TITLE | J10K Flanged-end T4 type electric actuated 3 way ball valve | | | | | | | | | |
| | | | CHK'D | K.Y | | MODEL | AE1T4**1DTT AE2T4**1DTT | | | | | | | | |
| | | | DESIGN | | | | MARK | DATE | BY | DATE | '23-11-17 | SCALE | NON | DWG No. | T4-*1DTT-AEB5-EN |
| | | | DRAWN | P.O | | | | REVISIONS MV-3039 | | | | | | | |
| | | | | | | | | | | | | | | | |