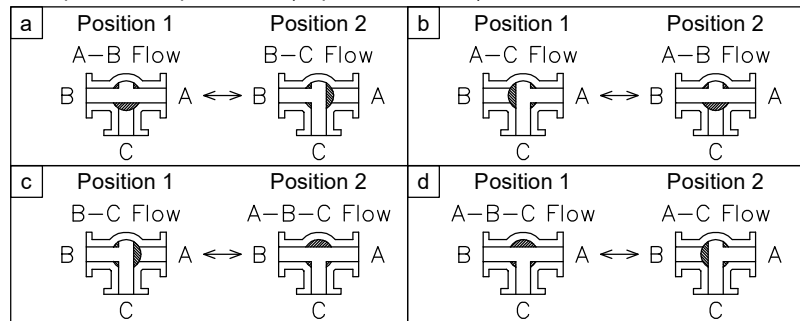
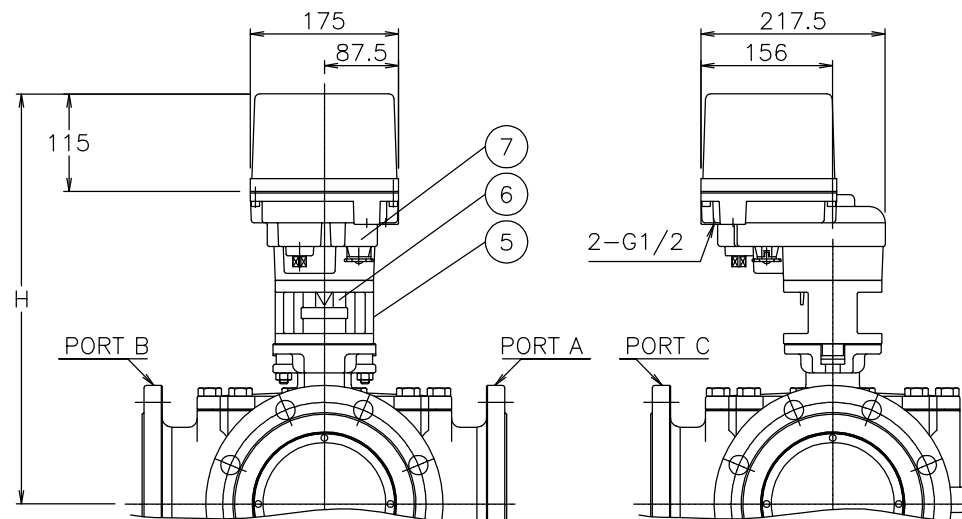
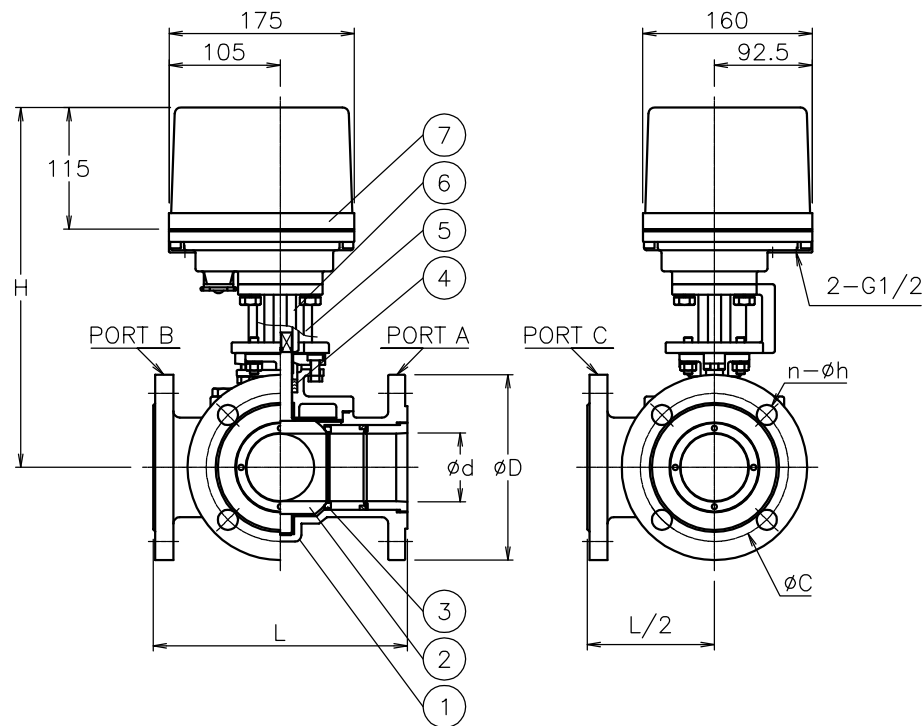


Flow paths and option code (Top views of valve)



This valve has 4 flow paths a, b, c, and d. Specify the flow path with the option code.

Size [mm]	d	L	D	C	n-h	H	Weight [kg]	Cv		Actuator			Sizing code
								L flow	Straight flow	HD1-300	HD2-300	HD0-300	
25	25	160	125	90	4-19	297	13	26	45	HD1-300	HD2-300	HD0-300	0
							13			HD1-700	HD2-700	HD0-700	2
40	40	180	140	105	4-19	320	16	65	129	HD1-300	HD2-300	HD0-300	0
							16			HD1-700	HD2-700	HD0-700	2
50	51	200	155	120	4-19	330	21	110	219	HD1-300	HD2-300	HD0-300	0
							352			22	HD1-700	HD2-700	HD0-700
65	65	240	175	140	4-19	340	27	160	300	HD1-700	HD2-700	HD0-700	0
							380			35	HD1-02K	HD2-02K	HD0-02K
80	76	260	185	150	8-19	421	41	260	469	HD1-06K	HD2-06K	HD0-06K	2
							421			41	HD1-02K	HD2-02K	HD0-02K
100	100	330	210	175	8-19	393	45	480	820	HD1-02K	HD2-02K	HD0-02K	0
							434			51	HD1-06K	HD2-06K	HD0-06K
125	122	370	250	210	8-23	465	70	770	1400	HD1-06K	HD2-06K	HD0-06K	0
150	145	430	280	240	8-23	484	92	1150	2000	HD1-06K	HD2-06K	HD0-06K	0



HD*T3*21TTG-080
 HD*T3*21TTG-100
 HD*T3*01TTG-125
 HD*T3*01TTG-150

No	DESCRIPTION	MATERIALS	REQ'D	REMARKS
7	Actuator		1	
6	Joint	SUS304	1	
5	Bracket	SCS13A	1	
4	Packing	PTFE	1	
3	Seat	R-PTFE	3	
2	Ball-Stem	SCS13A	1	
1	Body	SCS13A	1	

NOTE
 Actuator material: Aluminum alloy diecast cover.

ATTACHMENT
 Cable gland (nylon), G1/2, for 6φ to 12φ cable.
 Plug.

MARK	DATE	BY	DATE	APPR'D	H.F	TITLE	MODEL	SCALE	DWG No.	REVISIONS
					K.Y	J10K Flanged-end T3 type electric actuated 3 way ball valve	HD1T3**1TTG HD2T3**1TTG	NON		MV-2754
			'18-12-19		S.O		HD0T30*1TTG			T3-*1TTG-HD8-EN