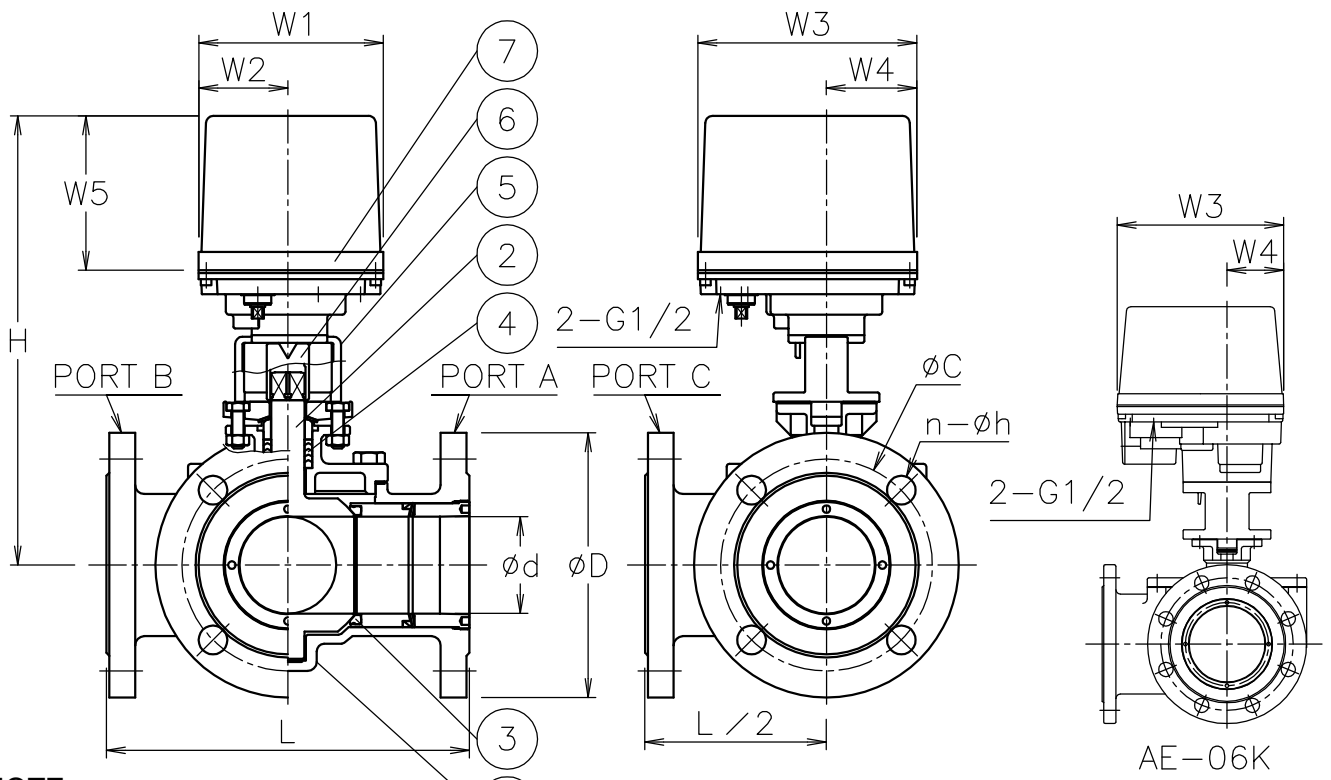


Valve DN	d	L	D	C	n-h	W1	W2	W3	W4	W5	H	Weight (kg)	Cv ( ): straight port	Actuator		Sizing code
25 A	25	160	125	90	4-19	122	60	145	60	102	230	8.5	26 (45)	AE1-120	AE2-120	0
						122	60	145	60	102	230	9.1		AE1-360	AE2-360	2
40 A	40	180	140	105	4-19	122	60	145	60	102	253	13	65 (129)	AE1-360	AE2-360	0
						122	60	145	60	102	269	13		AE1-700	AE2-700	2
50 A	50	200	155	120	4-19	122	60	145	60	102	287	17	110 (219)	AE1-700	AE2-700	0
						160	97	175	63	115	345	22		AE1-02K	AE2-02K	2
65 A	65	240	175	140	4-19	122	60	145	60	102	297	23	160 (300)	AE1-700	AE2-700	0
80 A	76	260	185	150	8-19	160	97	175	63	115	373	35	260 (469)	AE1-02K	AE2-02K	0
100 A	100	330	210	175	8-19	160	97	175	63	115	386	46	480 (820)	AE1-02K	AE2-02K	0
						195	75	220	75	130	446	51		AE1-06K	AE2-06K	2
125 A	122	370	250	210	8-23	195	75	220	75	130	477	70	770 (1400)	AE1-06K	AE2-06K	0
150 A	145	430	280	240	8-23	195	75	220	75	130	496	92	1150 (2000)	AE1-06K	AE2-06K	0



**NOTE**

**Attachment**

- Cable gland(nylon), G 1/2, for φ6~12 cable
- Plug

**Flow paths and Code (Top views of valve)**

	B-C	A-B-C	A-C	A-B
(a)	Position 2			Position 1
(b)			Position 1	Position 2
(c)	Position 1	Position 2		
(d)		Position 1	Position 2	

7	Actuator	Aluminum alloy diecast cover	1	
6	Joint	SUS304/SCS13A	1	
5	Bracket	SCS13A	1	
4	Packing	PTFE	1	
3	Seat	R-PTFE	3	
2	Ball·Stem	SCS13A	1	
1	Body	SCS13A	1	
No	DESCRIPTION	MATERIALS	REQ'D	REMARKS

			APPR'D	H.F
			CHK'D	K.Y
			DESIGN	
			DRAWN	S.O

TITLE	J10K Flanged-end Valve DN: 25~150 A T3 type electric actuated 3way ball valve		
MODEL	AE1T3**1TTG	AE2T3**1TTG	
SCALE	NON	DWG No.	T3-*1TTG-AE6-E

MARK	DATE	BY	DATE	'12-07-03
REVISIONS				
MV-				



**NIPPON VALVE CONTROLS, INC.**