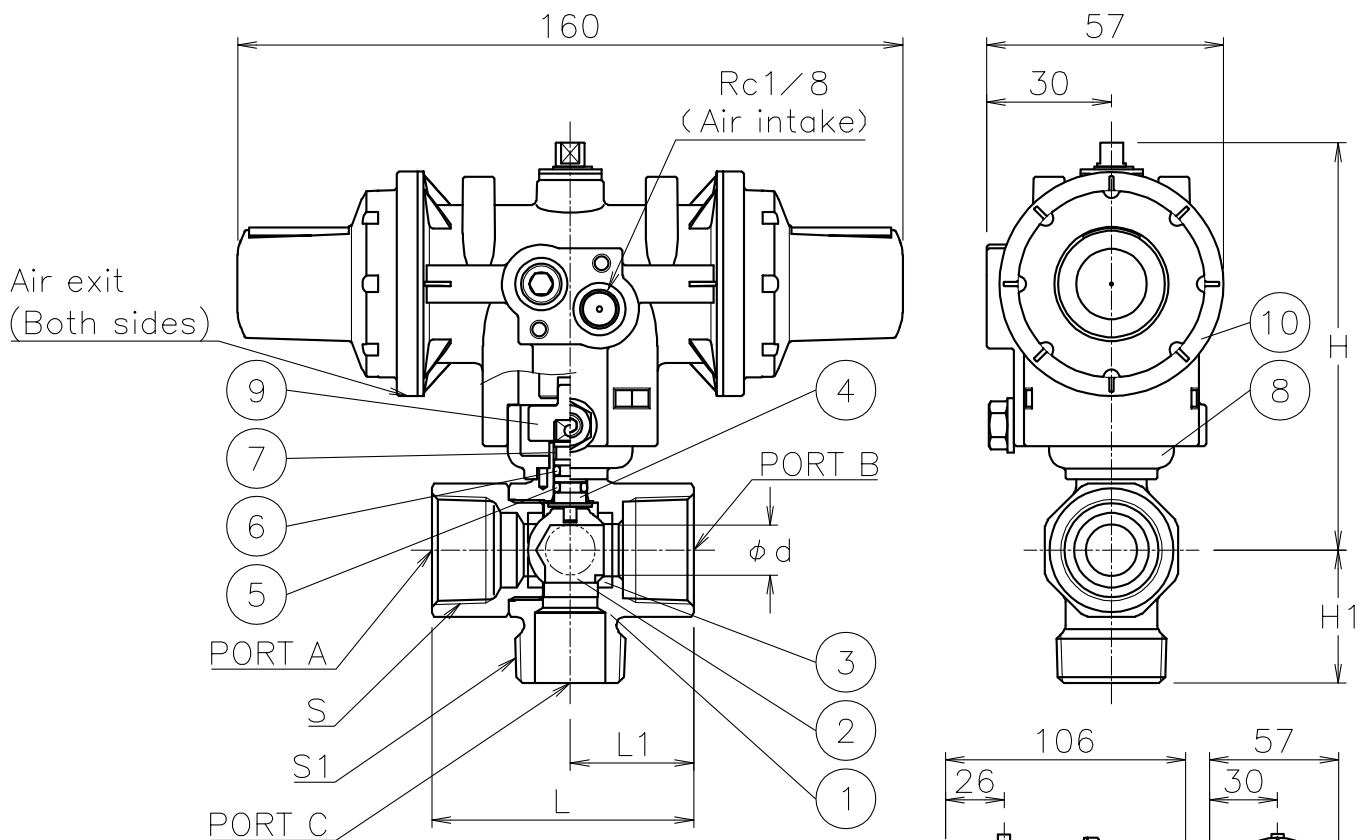


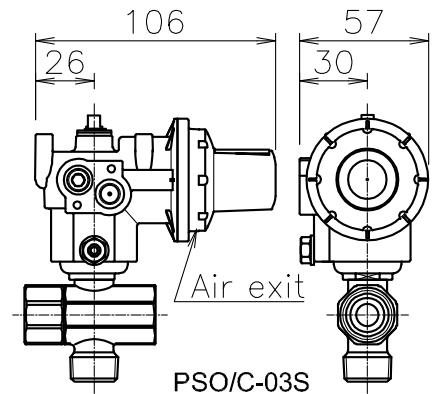
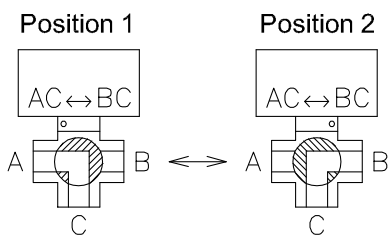
Valve DN	S	S1	d	L	L1	H1	H	Weight (kg)	Cv	Actuator		Sizing code
15 A	Rc 1/2	R 1/2	9	58	27.2	29.5	88	0.5	3	PSO-03S	PSC-03S	0
20 A	Rc 3/4	R 3/4	12	63	29.7	32	98	0.7	6	PSO-03D	PSC-03D	0
25 A	Rc 1	R 1	15	71	33.8	38	102	0.9	8	PSO-03D	PSC-03D	0



NOTE

- Air supply : 0.4~0.5 Mpa max 0.7 Mpa
- Actuator operation
 - PSO serie
 - Air to intake port : Position 2
 - Spring return : Position 1
 - PSC serie
 - Air to intake port : Position 1
 - Spring return : Position 2
- Coupling OD must be less than $\phi 14.5$

Flow paths



10	Actuator	PPS body	1	PSO/C
9	Joint	PPS	1	
8	Bracket	PPS	1	
7	Guide ring	PTFE	1	
6	O-ring	NBR	1	
5	O-ring	FKM	1	
4	Stem	Dezincification resistant brass	1	
3	Seat	F-PTFE	2	
2	Ball	C3604BD	1	PLTD
1	Body	C3771BE	1	PLTD
No	DESCRIPTION	MATERIALS	REQ'D	REMARKS

			APPR'D	K.Y	TITLE	Valve DN: 15~25 A					
			CHK'D	K.Y		Threaded End Rc (single-acting type)					
			DESIGN			T type pneumatic actuated 3 way ball valve					
			DRAWN	T.A	MODEL	PSOT-905YYF		PSCT-905YYF			
MARK	DATE	BY	DATE	'22-12-09	SCALE	NON	DWG No.	T-905YYF-DA1-EN			
REVISIONS											
MV-2987											