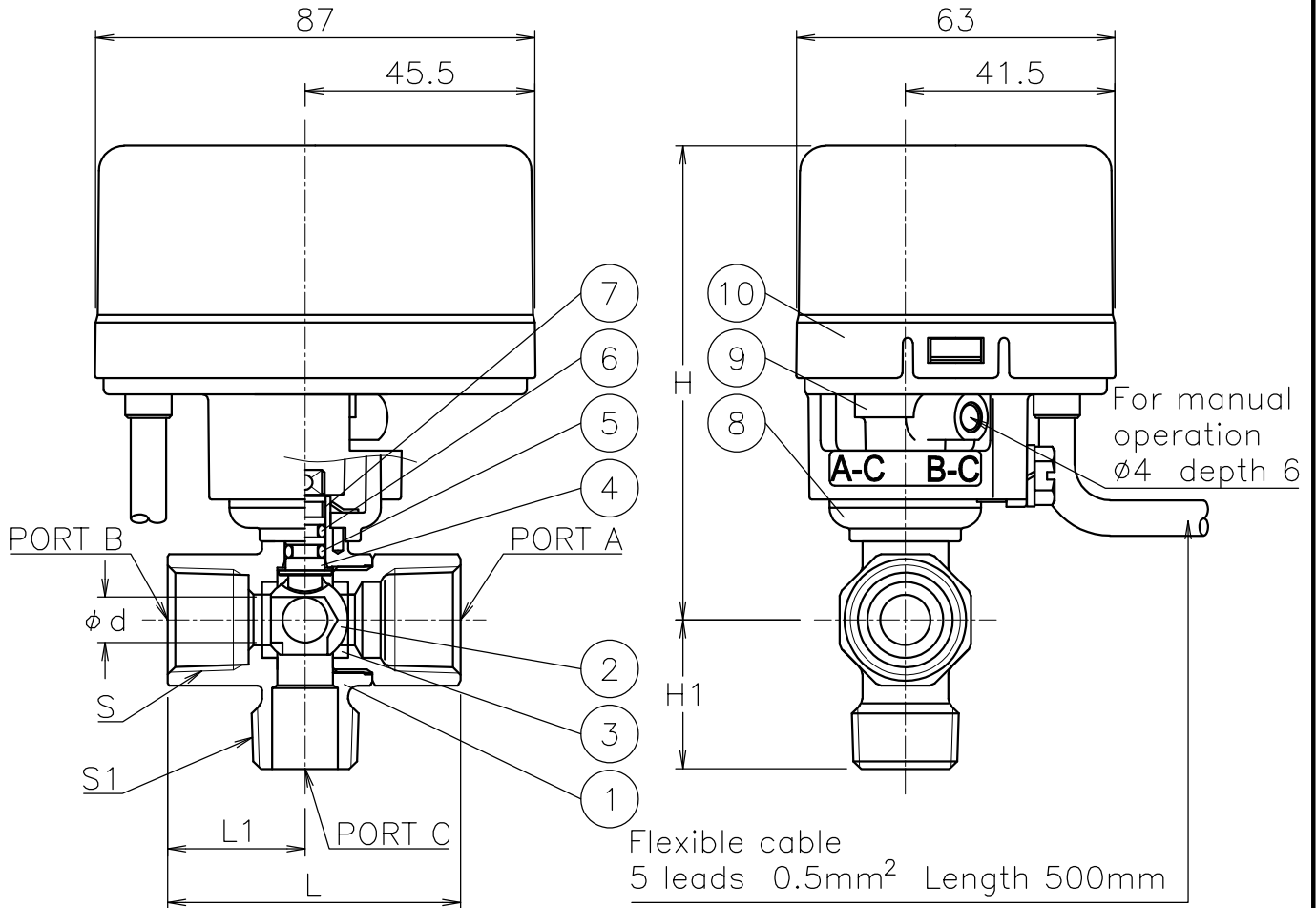
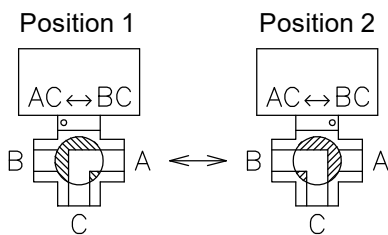


Valve DN	S	S1	d	L	L1	H1	H	Weight (kg)	Cv	Actuator	Sizing code
15 A	Rc 1/2	R 1/2	9	58	27.2	29.5	94	0.7	3	CA1-015	0
20 A	Rc 3/4	R 3/4	12	63	29.7	32	96	0.8	6	CA1-015	0




NOTE

Flow paths



10	Actuator	PC Case	1	
9	Joint	PPS	1	
8	Bracket	PPS	1	
7	Guide ring	PTFE	1	
6	O-ring	NBR	1	
5	O-ring	FKM	1	
4	Stem	Dezincification resistant brass	1	
3	Seat	F-PTFE	2	
2	Ball	C3604BD	1	PLTD
1	Body	C3771BE	1	PLTD
No	DESCRIPTION	MATERIALS	REQ'D	REMARKS

			APPR'D	H.F	TITLE	Threaded End Rc Valve DN: 15~20 A					
			CHK'D	K.Y		T type motorized 3 way ball valve					
			DESIGN		MODEL	CA1T-*05YYF					
			DRAWN	P.O							
MARK	DATE	BY	DATE	'16-10-11	SCALE	NON	DWG No.	T-05YYF-CA3-EN			
REVISIONS			 NIPPON VALVE CONTROLS, INC.								
MV-2551											