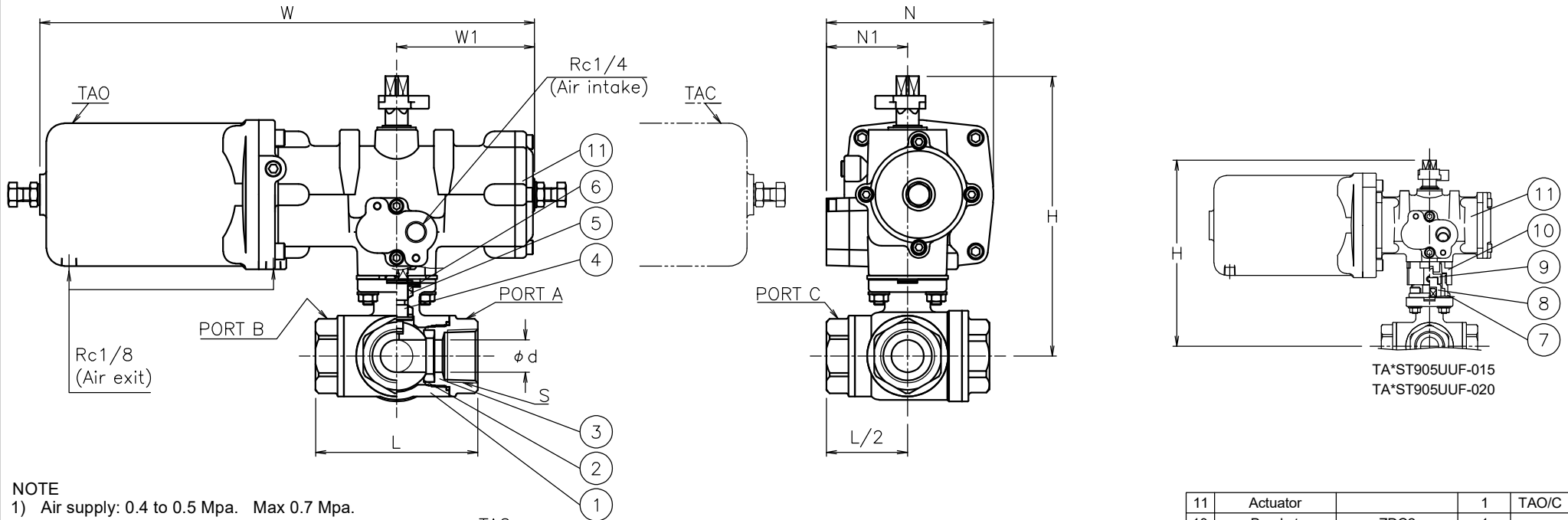


Size [mm]	S	d	L	W	W1	N	N1	H	Weight [kg]	Cv		Actuator		Sizing code
										L port	Straight port			
15	Rc 1/2	13	75	249	55	92	46	161	3.2	4	7	TAO-040	TAC-040	0
				305	85	103	50	199	4			TAO-050	TAC-050	2
20	Rc 3/4	16	85	249	55	92	46	164	3.6	8	13	TAO-040	TAC-040	0
				305	85	103	50	202	4.4			TAO-050	TAC-050	2
25	Rc 1	20	100	305	85	103	50	173	4.8	14	22	TAO-050	TAC-050	0
				367	102	119	52	222	7			TAO-063	TAC-063	2
32	Rc1 1/4	25	115	305	85	103	50	178	5.6	22	33	TAO-050	TAC-050	0
				367	102	119	52	227	7.7			TAO-063	TAC-063	2



- NOTE
 1) Air supply: 0.4 to 0.5 Mpa. Max 0.7 Mpa.
 2) Actuator operation

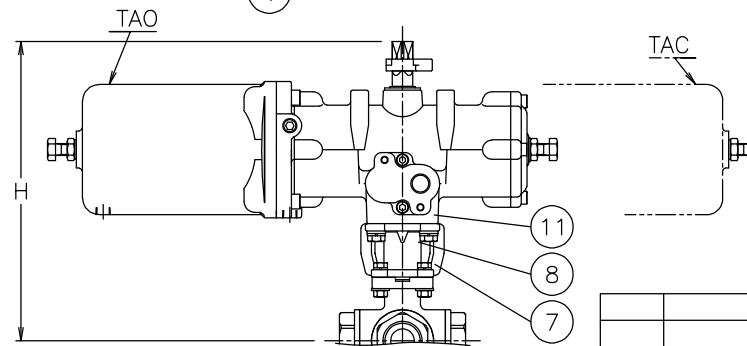
	Air to intake port	Spring return
TAO	P2	P1
TAC	P1	P2

This drawing is TAO.
 Cylinder direction of TAC-040 is the same as TAO.

Flow paths (Top view of valve)

	B	A	C	A	B	A	C	A	B	A	C	A		
(a)	●	P2										●	P1	
(b)													●	P2
(c)	●	P1			●	P2								
(d)					●	P1			●	P2				

4 TYPE: (a) to (d)



TA*ST925UUF-015
 TA*ST925UUF-020
 TA*ST925UUF-025
 TA*ST925UUF-032

No	DESCRIPTION	MATERIALS	REQ'D	REMARKS
11	Actuator		1	TAO/C
10	Bracket	ZDC2	1	
9	Joint	SUS304	1	
8	Joint	SCS13A	1	
7	Bracket	SCS13A	1	
6	Packing	R-PTFE	1	
5	Packing	F-PTFE	1	
4	Stem	SUS316	1	
3	Seat	F-PTFE	4	
2	Ball	SCS14A	1	
1	Body	SCS14A	1	

MARK	DATE	BY	DATE	'21-09-21	SCALE	NON	DWG No.	ST-9*5UUF-TD4-EN
REVISIONS				APPR'D	H.F	TITLE		
MV-2927				CHK'D	K.Y	Threaded End Rc (single-acting type)		
				DESIGN		ST type pneumatic actuated 3 way ball valve		
				DRAWN	S.O	MODEL		
						TAOST9*5UUF		
						TACST9*5UUF		

NIPPON VALVE CONTROLS, INC.