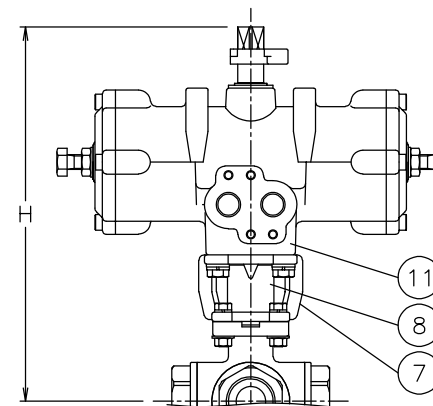
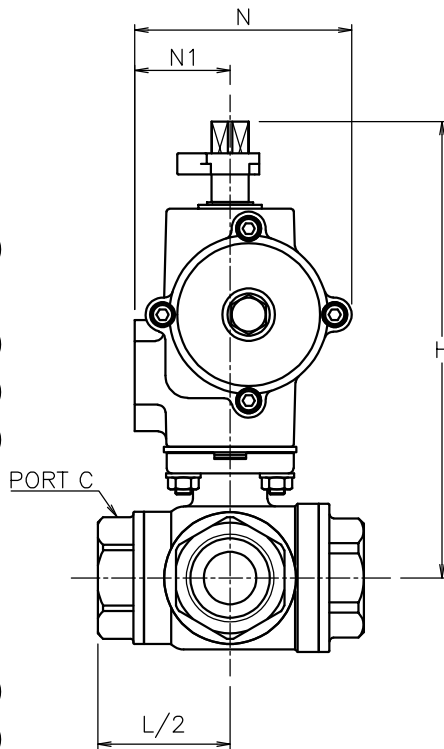
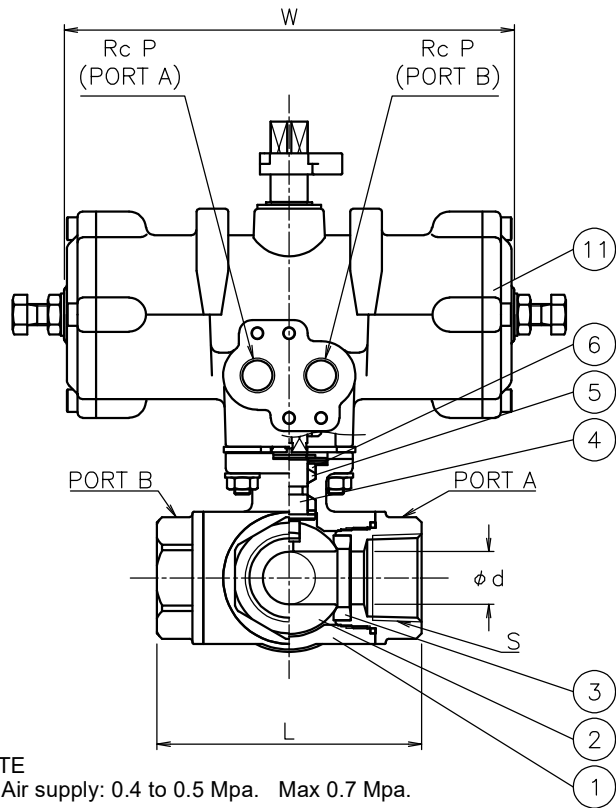
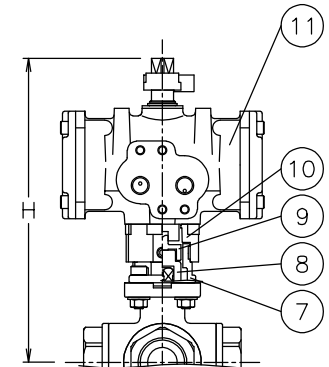


Size [mm]	S	d	L	P	W	N	N1	H	Weight [kg]	Cv		Actuator	Sizing code
										L port	Straight port		
15	Rc 1/2	13	75	1/8	110	57	32	161	1.8	4	7	TAD-040	0
				1/4	170	82	36	199	2.3			TAD-050	2
20	Rc 3/4	16	85	1/8	110	57	32	164	2.2	8	13	TAD-040	0
				1/4	170	82	36	202	2.7			TAD-050	2
25	Rc 1	20	100	1/4	170	82	36	173	3.1	14	22	TAD-050	0
					204	95	38	222	4.2			TAD-063	2
32	Rc1 1/4	25	115	1/4	170	82	36	178	3.9	22	33	TAD-050	0
					204	95	38	227	4.9			TAD-063	2



TADST925UUUF-015
TADST925UUUF-020
TADST925UUUF-025
TADST925UUUF-032



TADST905UUUF-015
TADST905UUUF-020

NOTE

- 1) Air supply: 0.4 to 0.5 Mpa. Max 0.7 Mpa.
- 2) Actuator operation
Air to port A : Position 1 (P1)
Air to port B : Position 2 (P2)

Flow paths (Top view of valve)

	B	A	C	A	B	A	C	A	B	A	C	A		
(a)	●	P2										●	P1	
(b)													●	P2
(c)	●	P1			●	P2			●	P1				
(d)					●	P1			●	P2				

4 TYPE: (a) to (d)

No	DESCRIPTION	MATERIALS	REQ'D	REMARKS
11	Actuator		1	TAD
10	Bracket	ZDC2	1	
9	Joint	SUS304	1	
8	Joint	SCS13A	1	
7	Bracket	SCS13A	1	
6	Packing	R-PTFE	1	
5	Packing	F-PTFE	1	
4	Stem	SUS316	1	
3	Seat	F-PTFE	4	
2	Ball	SCS14A	1	
1	Body	SCS14A	1	

MARK	DATE	BY	DATE	'21-09-21	SCALE	NON	DWG No.	ST-9*5UUUF-TA4-EN
REVISIONS								
MV-2927								
				APPR'D	H.F	TITLE		
				CHK'D	K.Y	Threaded End Rc (double-acting type) ST type pneumatic actuated 3 way ball valve		
				DESIGN		MODEL		
				DRAWN	S.O	TADST9*5UUUF		
						NIPPON VALVE CONTROLS, INC.		