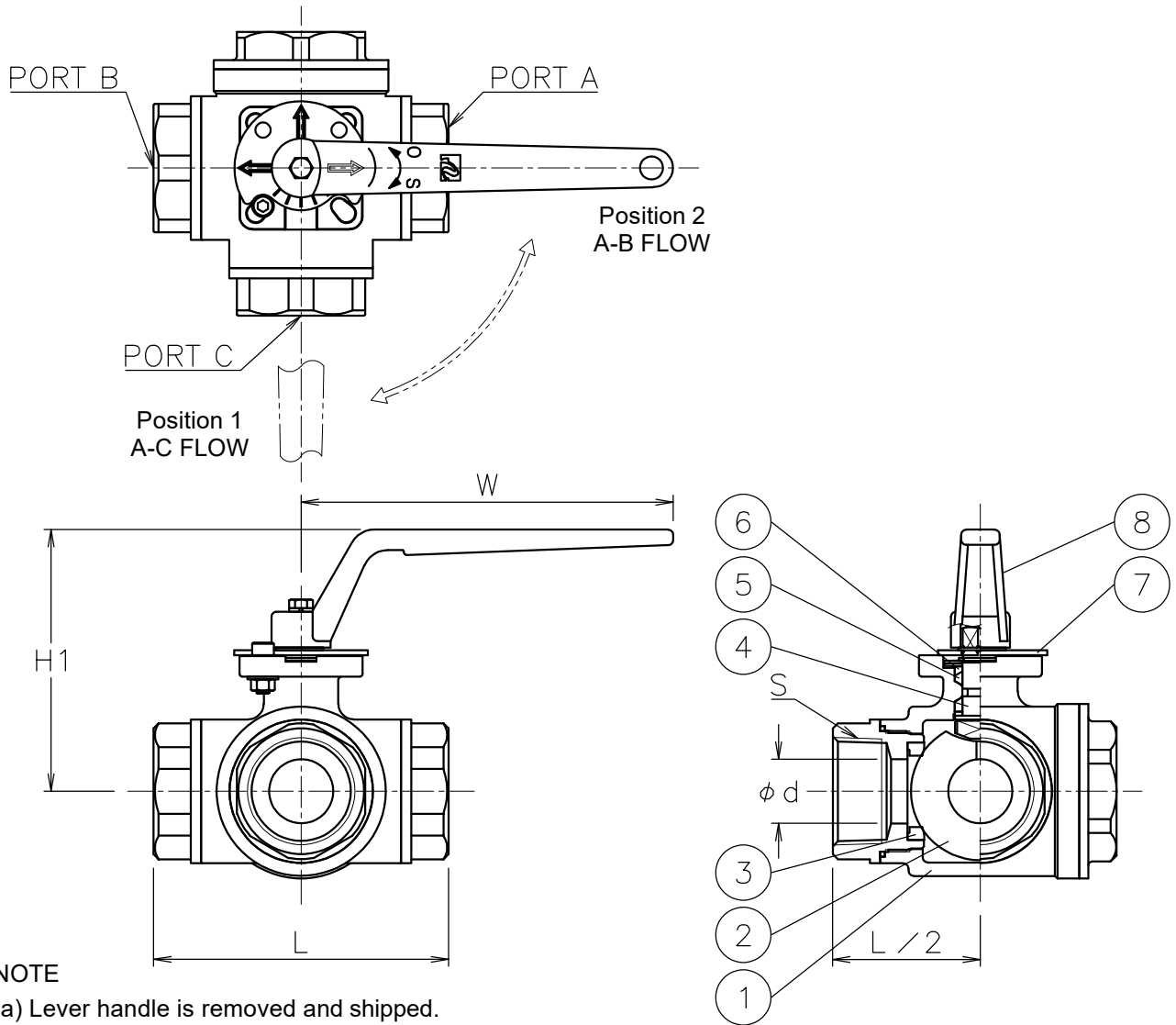


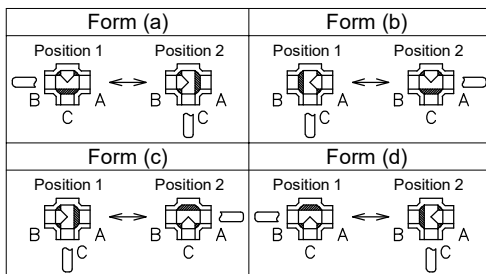
Valve DN	S	d	L	W	H1	Weight (kg)	Cv ( ) : straight port	Actuator
15 A	Rc 1/2	13	75	115	79	0.8	4 (7)	Lever
20 A	Rc 3/4	16	85	115	82	1.2	8 (13)	Lever
25 A	Rc 1	20	100	145	97	1.9	14 (22)	Lever
32 A	Rc1 1/4	25	115	145	102	2.7	22 (33)	Lever



**NOTE**

- (a) Lever handle is removed and shipped.
- This drawing is form (b).

**Flow paths (Top view of valve)**



4 type : (a) ~ (d)

8	Lever handle	SCS13A	1	(a)
7	Position indicator	SUS304	1	
6	Packing	R-PTFE	1	
5	Packing	F-PTFE	1	
4	Stem	SUS316	1	
3	Seat	F-PTFE	4	
2	Ball	SCS14A	1	
1	Body	SCS14A	1	
No	DESCRIPTION	MATERIALS	REQ'D	REMARKS

			APPR'D	H.F	TITLE	Threaded End Rc Valve DN: 15~32 A			
			CHK'D	K.Y		MODEL	MAXSTL-5UUT		
			DESIGN		SCALE		NON	DWG No.	ST-5UUF-L-MA3a-EN
MARK	DATE	BY	DATE	'16-05-16					
REVISIONS									
MV-									