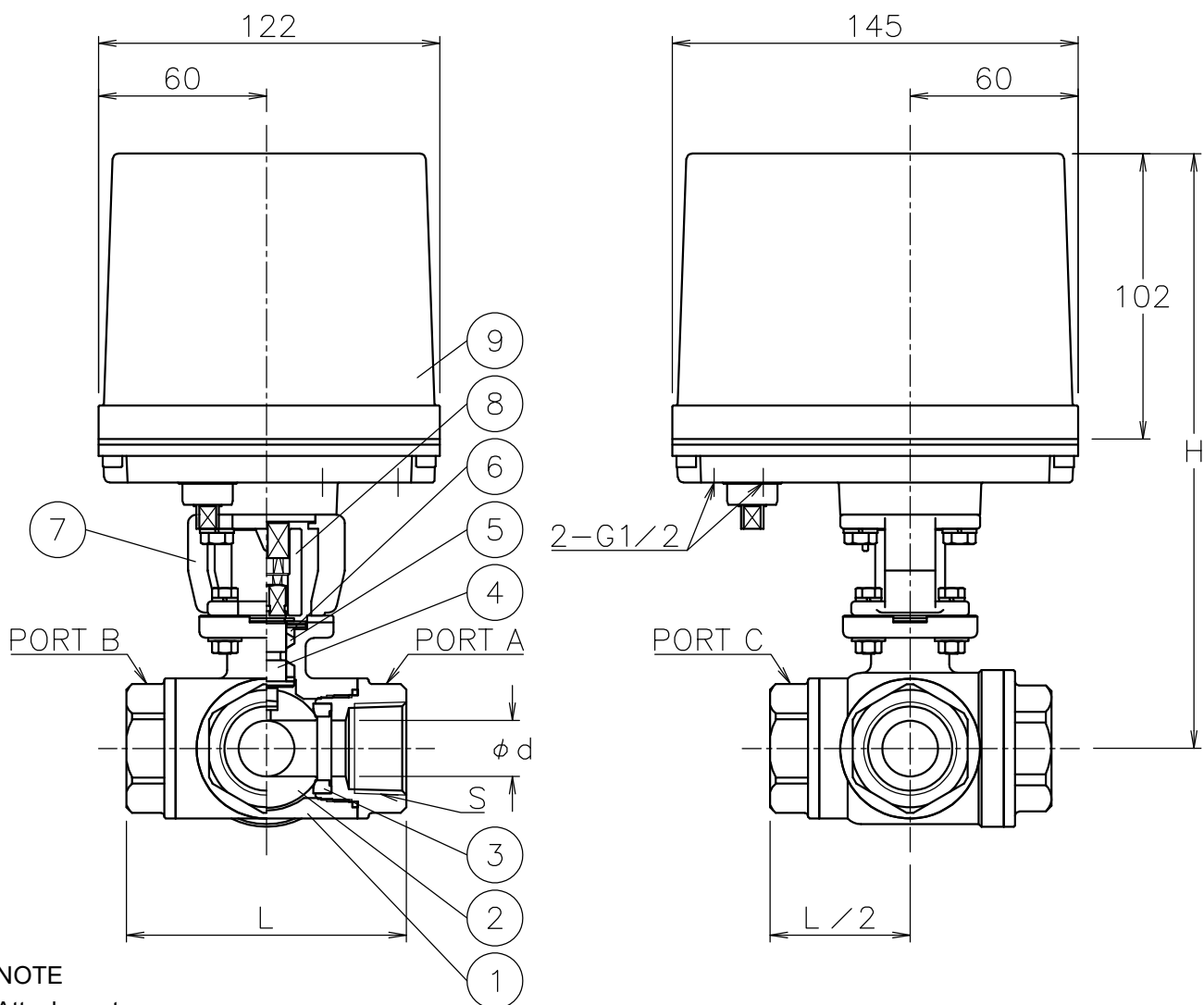


Size [mm]	S	d	L	H	Weight (kg)	Cv () : straight port	Actuator	Sizing code
15	Rc 1/2	13	75	205	3.1	4 (7)	ECR-120	0
20	Rc 3/4	16	85	208	3.5	8 (13)	ECR-120	0
25	Rc 1	20	100	213	4.1	14 (22)	ECR-120	0
32	Rc1 1/4	25	115	218	5.5	22 (33)	ECR-360	0

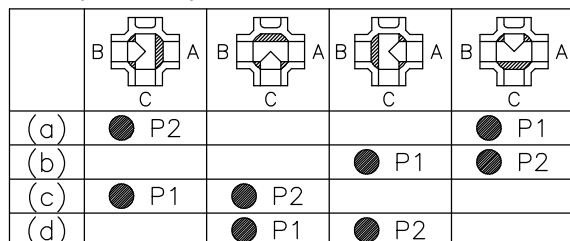


NOTE

Attachment

- Cable gland (nylon), G1/2, for $\phi 6 \sim 12$ cable
- Plug

Flow paths (Top view of valve)



4 TYPE : (a) ~ (d)

9	Actuator	Aluminum alloy die-cast cover	1	
8	Joint	SUS304	1	
7	Bracket	SCS13A	1	
6	Packing	R-PTFE	1	
5	Packing	F-PTFE	1	
4	Stem	SUS316	1	
3	Seat	F-PTFE	4	
2	Ball	SCS14A	1	
1	Body	SCS14A	1	
No	DESCRIPTION	MATERIALS	REQ'D	REMARKS

			APPR'D	H.F	TITLE	Threaded End Rc		
			CHK'D	K.Y		ST type electric emergency shut off 3 way ball valve		
			DESIGN		MODEL	ECRST*05UUF		
			DRAWN	P.O				
MARK	DATE	BY	DATE	'16-05-16	SCALE	NON	DWG No.	ST-05UUF-EC1b-EN
REVISIONS								
MV-								



NIPPON VALVE CONTROLS, INC.