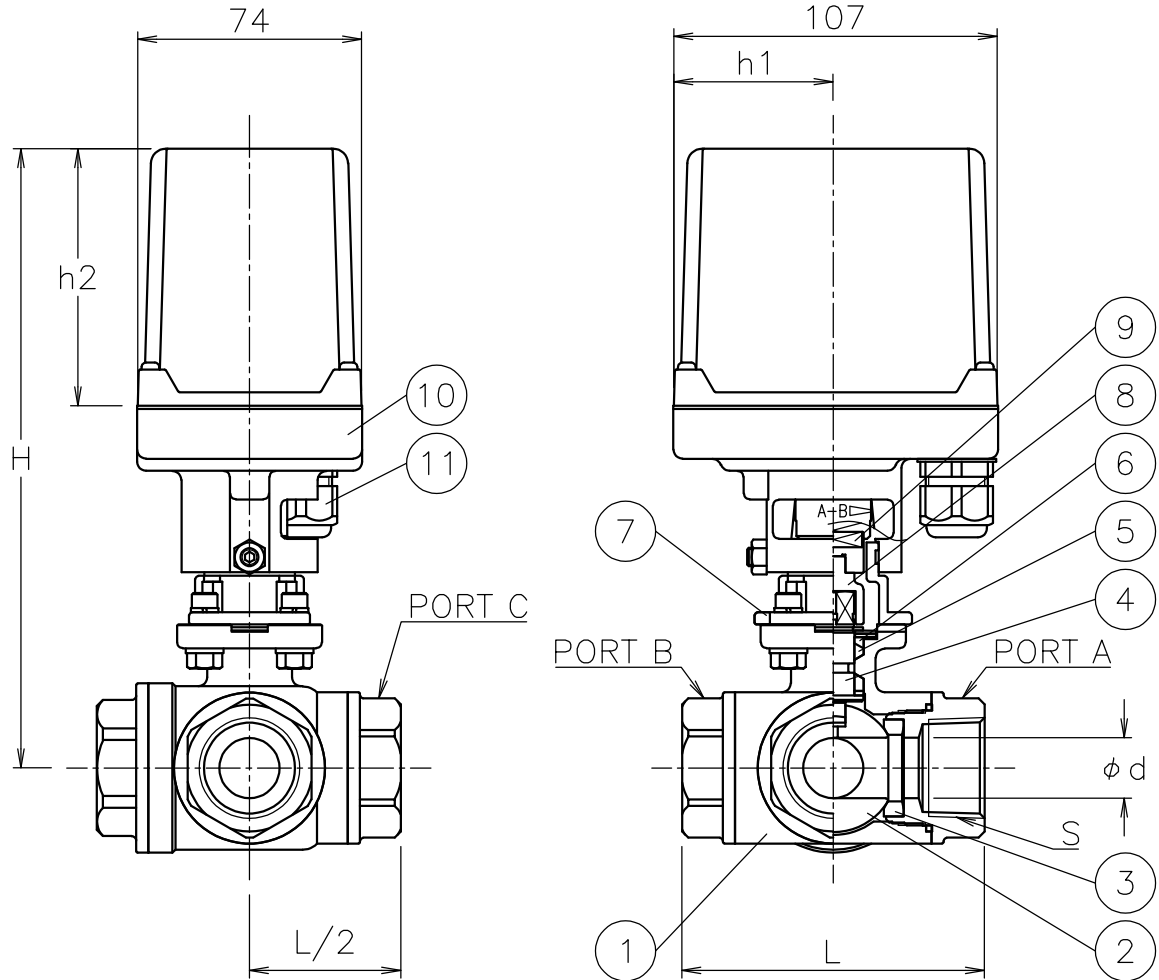


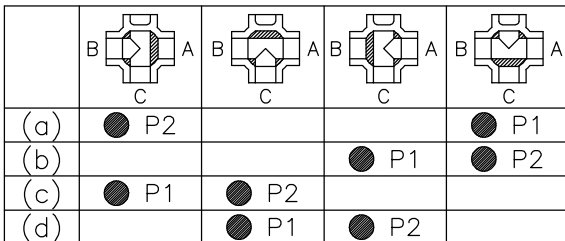
| Size [mm] | S | d | L | h1 | h2 | H | Weight [kg] | Cv | | Actuator | | Sizing code |
|-----------|---------|----|-----|----|----|-----|-------------|--------|---------------|----------|---------|-------------|
| | | | | | | | | L port | Straight port | | | |
| 15 | Rc 1/2 | 13 | 75 | 36 | 58 | 150 | 1.8 | 4 | 7 | AM1-070 | AM2-070 | 0 |
| 20 | Rc 3/4 | 16 | 85 | 36 | 58 | 154 | 2.2 | 8 | 13 | AM1-070 | AM2-070 | 0 |
| 25 | Rc 1 | 20 | 100 | 53 | 85 | 205 | 3.4 | 14 | 22 | AM1-180 | AM2-180 | 0 |
| 32 | Rc1 1/4 | 25 | 115 | 53 | 85 | 211 | 4.1 | 22 | 33 | AM1-180 | AM2-180 | 0 |



NOTE

(a) Cable acceptance 5ϕ to 10.5ϕ mm.

Flow paths (Top view of valve)



4 TYPE: (a) to (d)

| 11 | Cable gland | NYLON 6 | 1 | G3/8 (a) |
|----|-------------|----------------|-------|----------|
| 10 | Actuator | ADC12/PC Cover | 1 | |
| 9 | Joint | SUS304 | 1 | |
| 8 | Joint | SCS13A | 1 | |
| 7 | Bracket | SCS13A | 1 | |
| 6 | Packing | R-PTFE | 1 | |
| 5 | Packing | F-PTFE | 1 | |
| 4 | Stem | SUS316 | 1 | |
| 3 | Seat | F-PTFE | 4 | |
| 2 | Ball | SCS14A | 1 | |
| 1 | Body | SCS14A | 1 | |
| No | DESCRIPTION | MATERIALS | REQ'D | REMARKS |

| | | | | | | | | | | | |
|-----------|------|----|------------------------------------|-----------|-------|---|----------------------------|---------|-----------------|--|--|
| | | | APPR'D | H.F | TITLE | Threaded End Rc ST type motorized 3 way ball valve | | | | | |
| | | | CHK'D | K.Y | | MODEL | AM1ST*05UUF AM2ST*05UUF | | | | |
| | | | DESIGN | | SCALE | | NON | DWG No. | ST-05UUF-AM4-EN | | |
| MARK | DATE | BY | DATE | '21-06-24 | | | | | | | |
| REVISIONS | | | NIPPON VALVE CONTROLS, INC. | | | | | | | | |
| MV-2890 | | | | | | | | | | | |