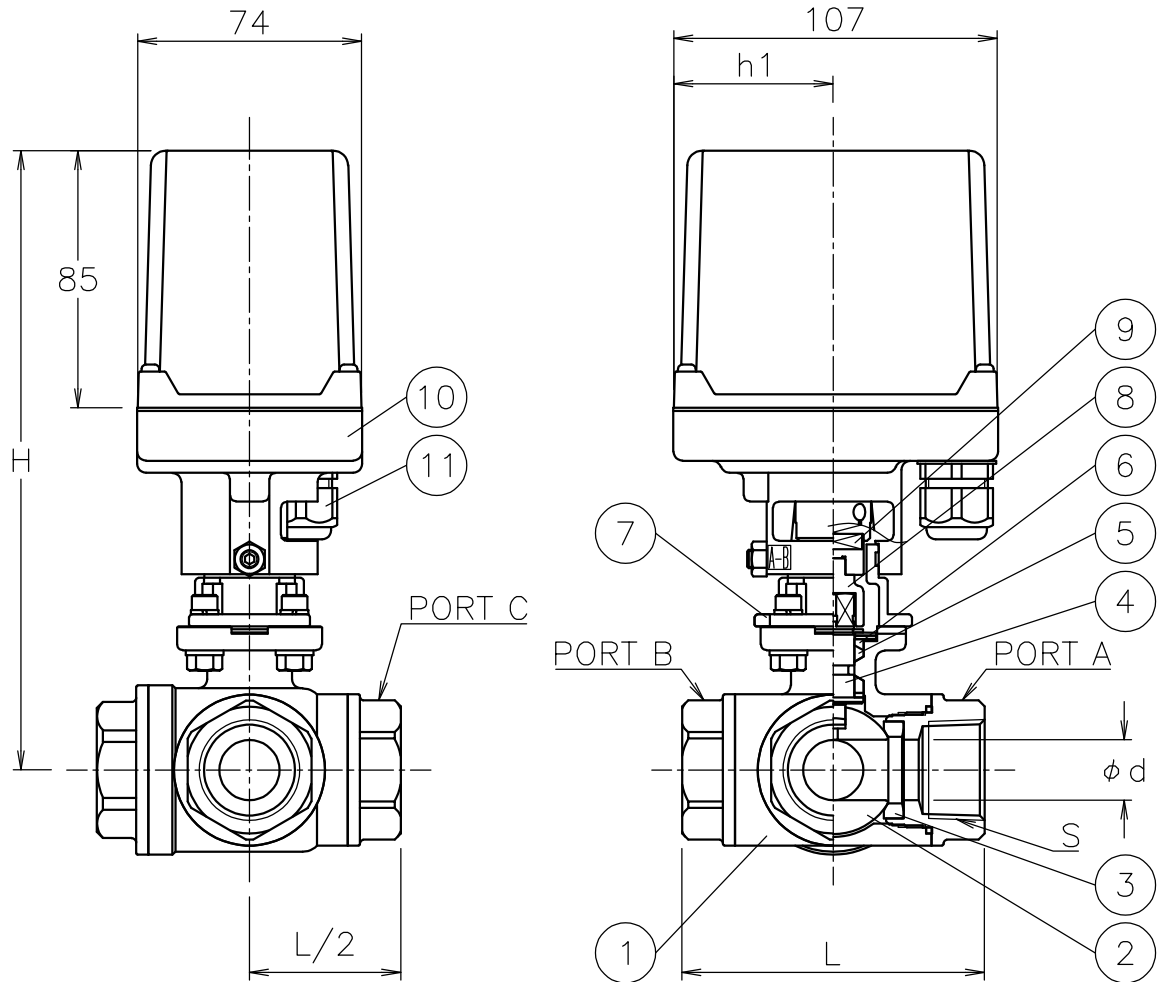


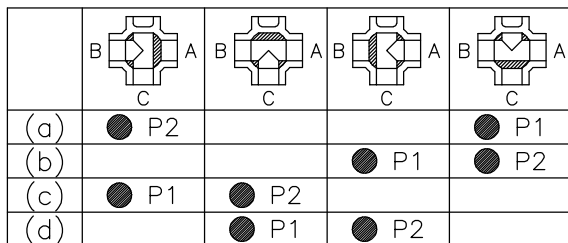
Size [mm]	S	d	L	h1	H	Weight [kg]		Cv		Actuator		Sizing code
						AH1	DM*	L port	Straight port			
15	Rc 1/2	13	75	36	177	2.1	2.1	4	7	AH1-070	DM*-070	0
20	Rc 3/4	16	85	36	181	2.5	2.5	8	13	AH1-070	DM*-070	0
25	Rc 1	20	100	53	205	3.6	3.4	14	22	AH1-180	DM*-180	0
32	Rc1 1/4	25	115	53	211	4.3	4.1	22	33	AH1-180	DM*-180	0



**NOTE**

(a) Cable acceptance  $5\phi$  to  $10.5\phi$  mm.

**Flow paths (Top view of valve)**



4 TYPE: (a) to (d)

11	Cable gland	NYLON 6	1	G3/8 (a)
10	Actuator	ADC12/PC Cover	1	
9	Joint	SUS304	1	
8	Joint	SCS13A	1	
7	Bracket	SCS13A	1	
6	Packing	R-PTFE	1	
5	Packing	F-PTFE	1	
4	Stem	SUS316	1	
3	Seat	F-PTFE	4	
2	Ball	SCS14A	1	
1	Body	SCS14A	1	
No	DESCRIPTION	MATERIALS	REQ'D	REMARKS

			APPR'D	H.F	TITLE	Threaded End Rc	
			CHK'D	K.Y		ST type motorized 3 way ball valve	
			DESIGN		MODEL	AH1ST*05UUF	DM0ST005UUF
			DRAWN	S.O			DM2ST005UUF
MARK	DATE	BY	DATE	'21-06-24	SCALE	NON	DWG No. ST-05UUF-CM4-EN
REVISIONS			<b>NIPPON VALVE CONTROLS, INC.</b>				
MV-2890							