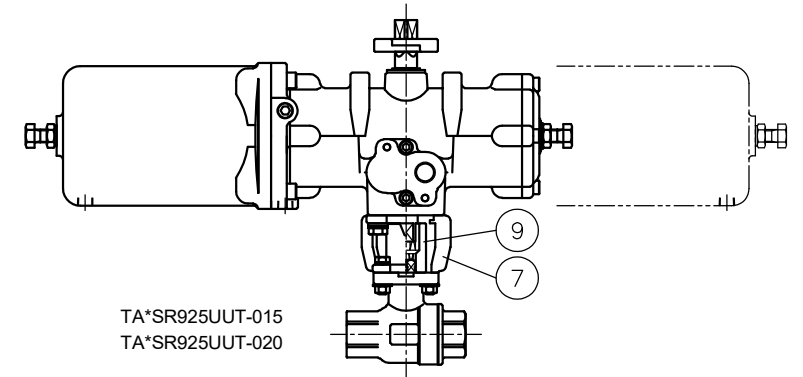
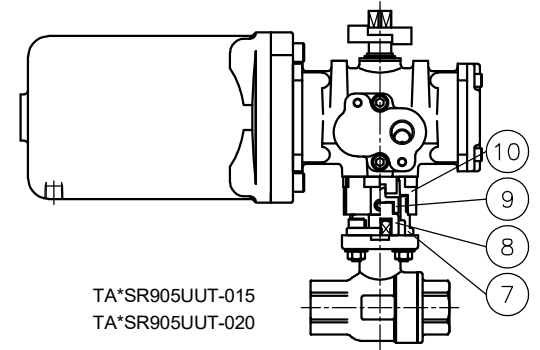
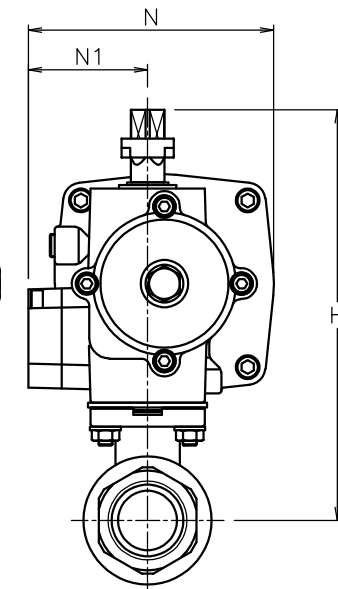
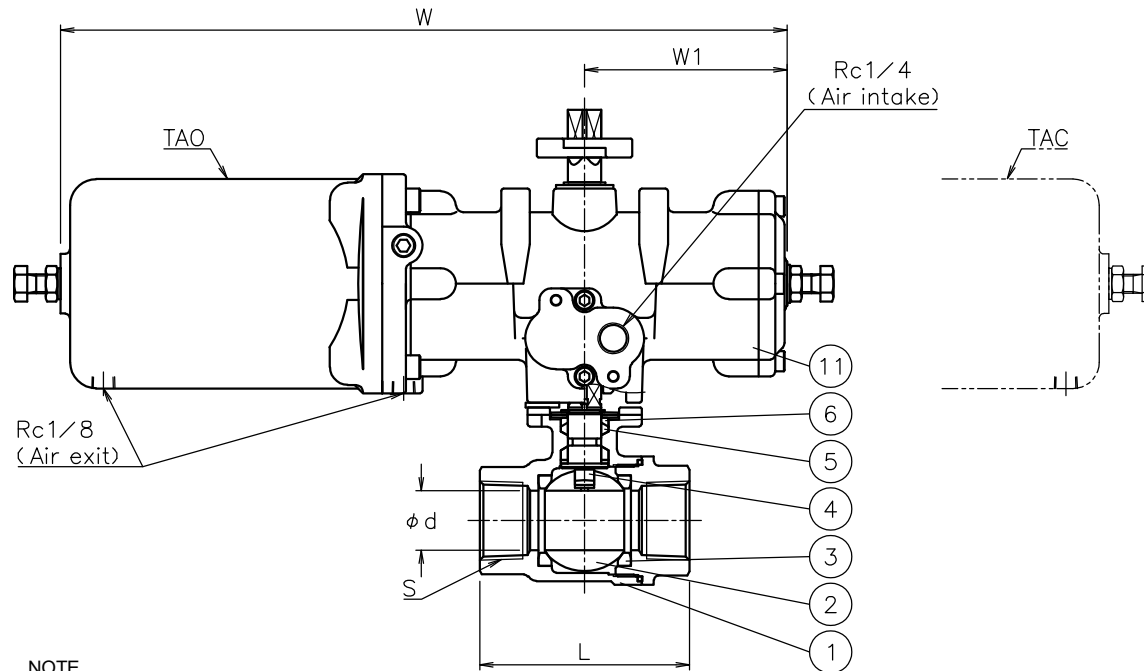


Valve DN	S	d	L	W	W1	N	N1	H	Weight (kg)	Actuator		Sizing code
										TAO-040	TAC-040	
15 A	Rc 1/2	16	75	249	55	92	46	160	2.9	TAO-040	TAC-040	0
				305	85	103	50	198	3.7	TAO-050	TAC-050	2
20 A	Rc 3/4	20	80	249	55	92	46	164	3.1	TAO-040	TAC-040	0
				305	85	103	50	202	3.8	TAO-050	TAC-050	2
25 A	Rc 1	25	88	305	85	103	50	173	3.9	TAO-050	TAC-050	0
32 A	Rc1 1/4	32	110	305	85	103	50	178	4.4	TAO-050	TAC-050	0
40 A	Rc1 1/2	38	120	367	102	119	52	202	7	TAO-063	TAC-063	0



TA*SR925UUT-015
TA*SR925UUT-020



TA*SR905UUT-015
TA*SR905UUT-020

NOTE
 1. Air supply : 0.4~0.5 Mpa max 0.7 Mpa
 2. Actuator operation
 TAO serie • Air to intake port : OPEN
 • Spring return : SHUT
 TAC serie • Air to intake port : SHUT
 • Spring return : OPEN

※ This drawing is TAO.
 ※ Only as for TAC-040,
 a cylinder direction becomes the same as TAO.

No	DESCRIPTION	MATERIALS	REQ'D	REMARKS
11	Actuator		1	TAO/C
10	Bracket	ZDC2	1	
9	Joint	SUS304	1	
8	Joint	SCS13A	1	
7	Bracket	SCS13A	1	
6	Packing	R-PTFE	1	
5	Packing	F-PTFE	1	
4	Stem	SUS316	1	
3	Seat	PTFE	2	
2	Ball	SCS14A	1	
1	Body	SCS14A	1	

MARK	DATE	BY	DATE	APP'R'D	H.F	TITLE	MODEL	SCALE	NON	DWG No.	REMARKS
						Threaded End Rc (single-acting type) SR type pneumatic actuated ball valve	TAOSR9*5UUT TACSR9*5UUT				Valve DN: 15~40 A
			16-04-26								SR-9*5UUT-TD3a-EN
REVISIONS											
MV-											