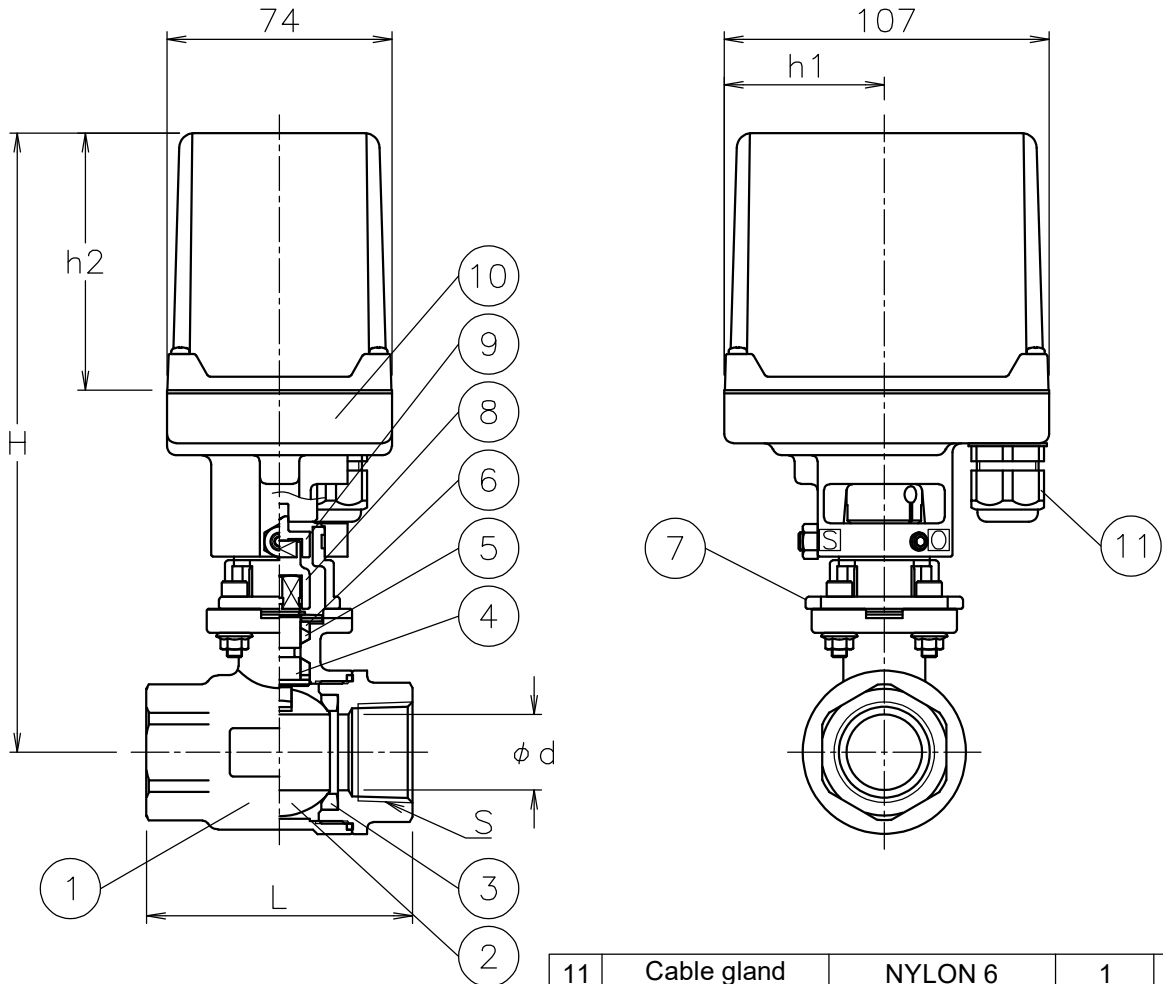


Size [mm]	S	d	L	h1	h2	H	Weight [kg]		Actuator		Sizing code
							AH1	DM*			
15	Rc 1/2	16	75	36	85 (58)	177 (150)	1.7	1.9 (1.5)	AH1-030	DM*-030	0
20	Rc 3/4	20	80	36	85	180	2	2	AH1-070	DM*-070	0
25	Rc 1	25	88	36	85	191	2.4	2.4	AH1-070	DM*-070	0
				53	85	205	2.8	2.6	AH1-180	DM*-180	2
32	Rc1 1/4	32	110	53	85	211	3.3	3.1	AH1-180	DM*-180	0
40	Rc1 1/2	38	120	53	85	235	4	3.8	AH1-180	DM*-180	0

(): DM2-030



NOTE

(a) Cable acceptance 5φ to 10.5φ mm.

11	Cable gland	NYLON 6	1	G3/8 (a)
10	Actuator	ADC12/PC Cover	1	
9	Joint	SUS304	1	
8	Joint	SCS13A	1	
7	Bracket	SCS13A	1	
6	Packing	R-PTFE	1	
5	Packing	F-PTFE	1	
4	Stem	SUS316	1	
3	Seat	PTFE	2	
2	Ball	SCS14A	1	
1	Body	SCS14A	1	
No	DESCRIPTION	MATERIALS	REQ'D	REMARKS

			APPR'D	H.F	TITLE	Threaded End Rc SR type motorized ball valve					
			CHK'D	K.Y							
			DESIGN		MODEL	AH1SR**5UUT DM0SR0*5UUT DM2SR0*5UUT					
			DRAWN	S.O							
MARK	DATE	BY	DATE	'21-06-30	SCALE	NON	DWG No.	SR-*5UUT-CM8-EN			
REVISIONS			NIPPON VALVE CONTROLS, INC.								
MV-2890											