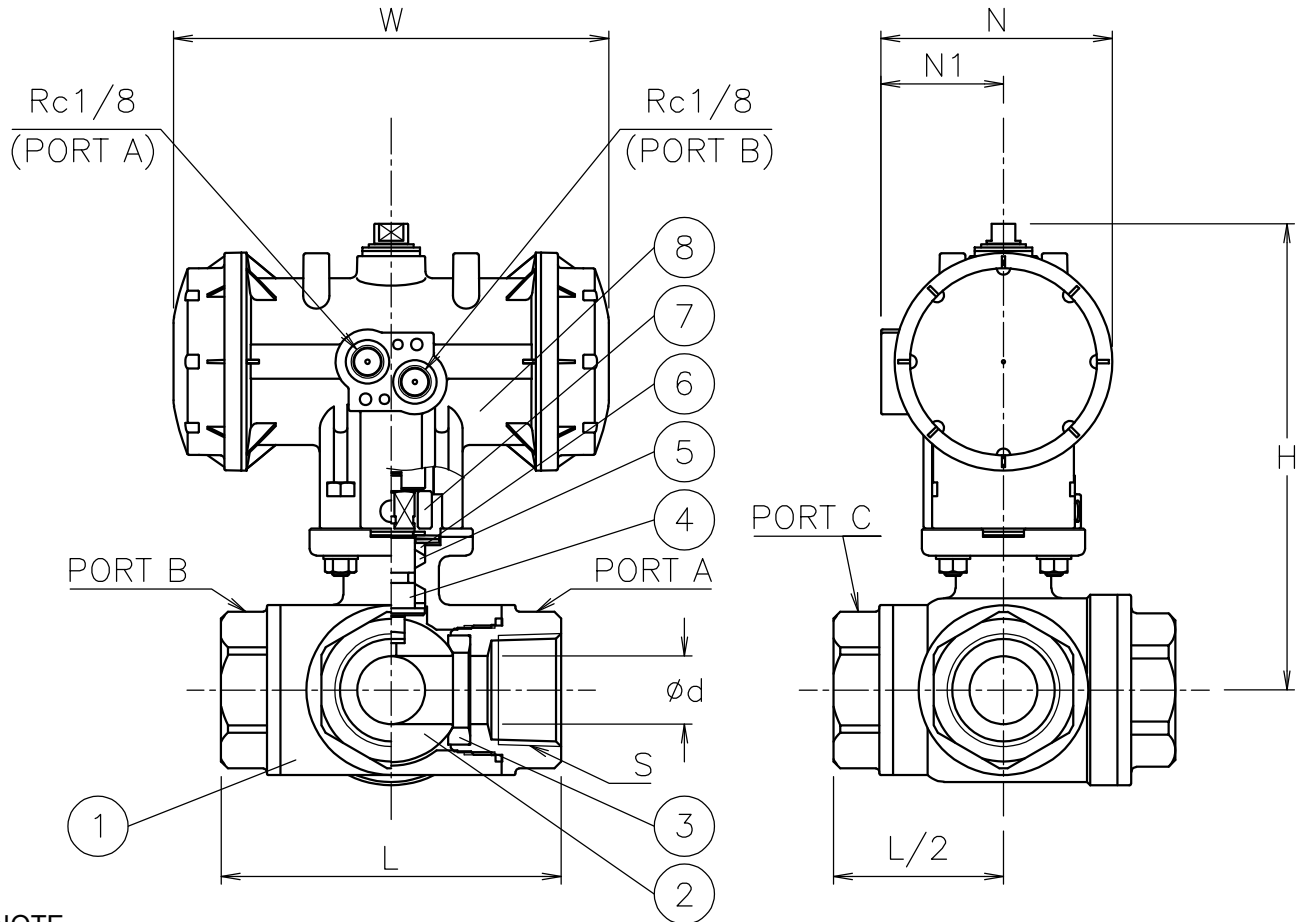


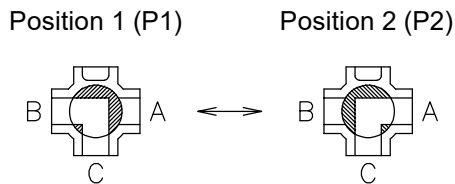
Size [mm]	S	d	L	W	N	N1	H	Weight [kg]	Cv P1/P2	Actuator	Sizing code
15	Rc 1/2	13	75	108	57	30	113	1.1	5	PND-03D	0
20	Rc 3/4	16	85	108	57	30	116	1.4	10	PND-03D	0
				128	68	36	133	1.6		PND-04D	2
25	Rc 1	20	100	128	68	36	137	2.3	16	PND-04D	0
32	Rc1 1/4	25	115	128	68	36	143	3	25	PND-04D	0
				157	82	44	151	3.3		PND-05D	2



**NOTE**

- (a) Coupling OD must be less than 14.5 mm.
- 1) Air supply: 0.4 to 0.5 Mpa. Max 0.7 Mpa.
- 2) Actuator operation
  - Air to port A: Position 1 (P1)
  - Air to port B: Position 2 (P2)

**Flow paths (Top view of valve)**



8	Actuator	PPS body	1	PND (a)
7	Joint	SUS304	1	
6	Packing	R-PTFE	1	
5	Packing	F-PTFE	1	
4	Stem	SUS316	1	
3	Seat	F-PTFE	4	
2	Ball	SCS14A	1	
1	Body	SCS14A	1	
No	DESCRIPTION	MATERIALS	REQ'D	REMARKS

			APPR'D	K.Y	TITLE	Threaded End Rc (double-acting type) SL type pneumatic actuated 3 way ball valve					
			CHK'D	K.Y							
			DESIGN		MODEL	PNDSL9*5UUF					
			DRAWN	S.O							
MARK	DATE	BY	DATE	'24-03-13	SCALE	NON	DWG No.	SL-9*5UUF-NA2-EN			
REVISIONS			<b>NIPPON VALVE CONTROLS, INC.</b>								
MV-3056											