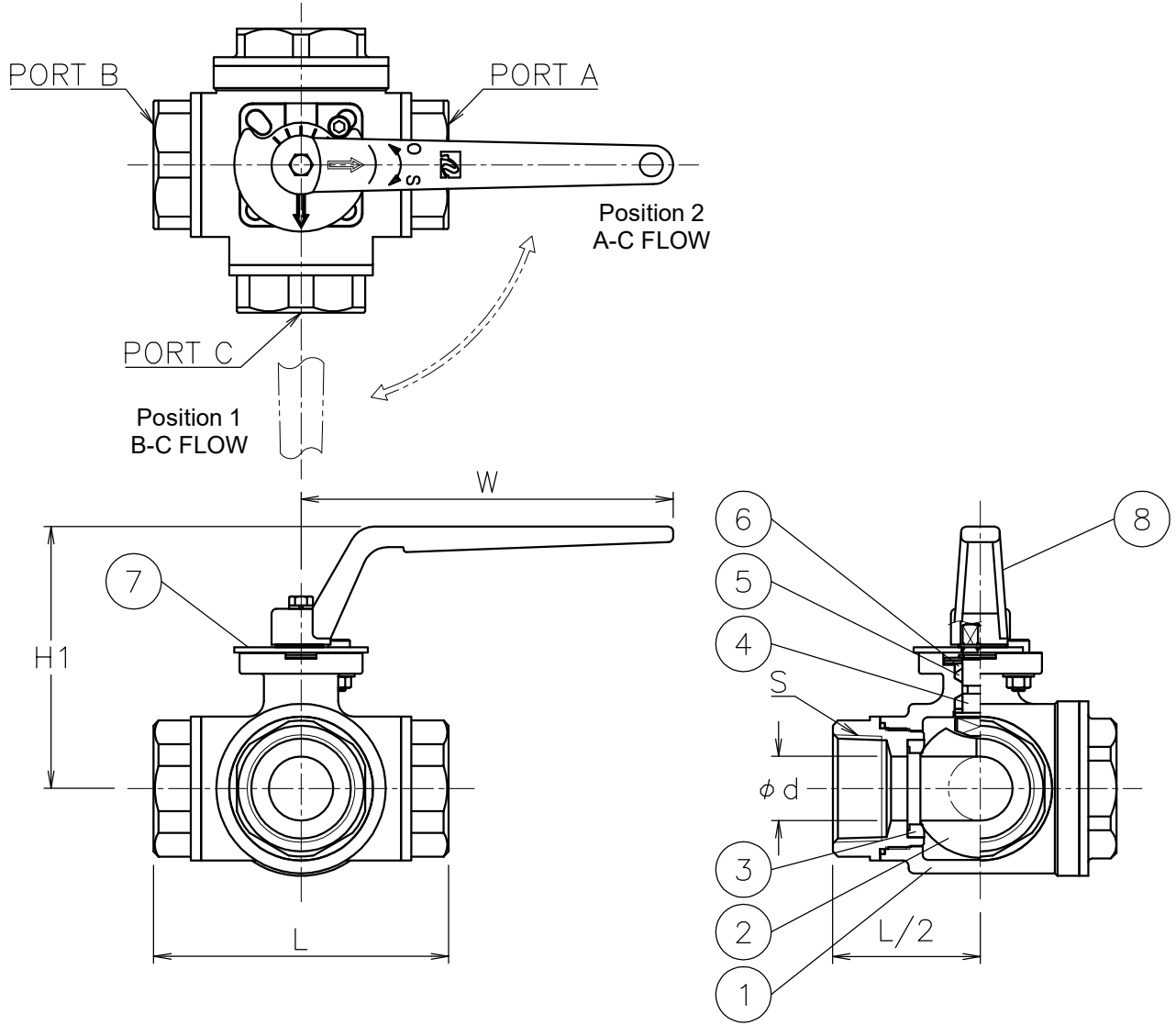


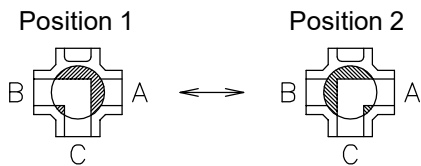
Size (mm)	S	d	L	W	H1	Weight (kg)	Cv	Actuator
15	Rc 1/2	13	75	115	79	0.8	5	Lever
20	Rc 3/4	16	85	115	82	1.2	10	Lever
25	Rc 1	20	100	145	97	1.9	16	Lever
32	Rc1 1/4	25	115	145	102	2.7	25	Lever



NOTE

(a) Lever handle is removed and shipped.

Flow paths (Top view of valve)



8	Lever handle	SCS13A	1	(a)
7	Position indicator	SUS304	1	
6	Packing	R-PTFE	1	
5	Packing	F-PTFE	1	
4	Stem	SUS316	1	
3	Seat	F-PTFE	4	
2	Ball	SCS14A	1	
1	Body	SCS14A	1	
No	DESCRIPTION	MATERIALS	REQ'D	REMARKS

			APPR'D	H.F	TITLE	Threaded End Rc SL type 3 way ball valve					
			CHK'D	K.Y							
			DESIGN		MODEL	MAXSLL-5UUT					
			DRAWN	S.O							
MARK	DATE	BY	DATE	'16-12-15	SCALE	NON	DWG No.	SL-5UUF-L-MA2-EN			
REVISIONS											
MV-2572											