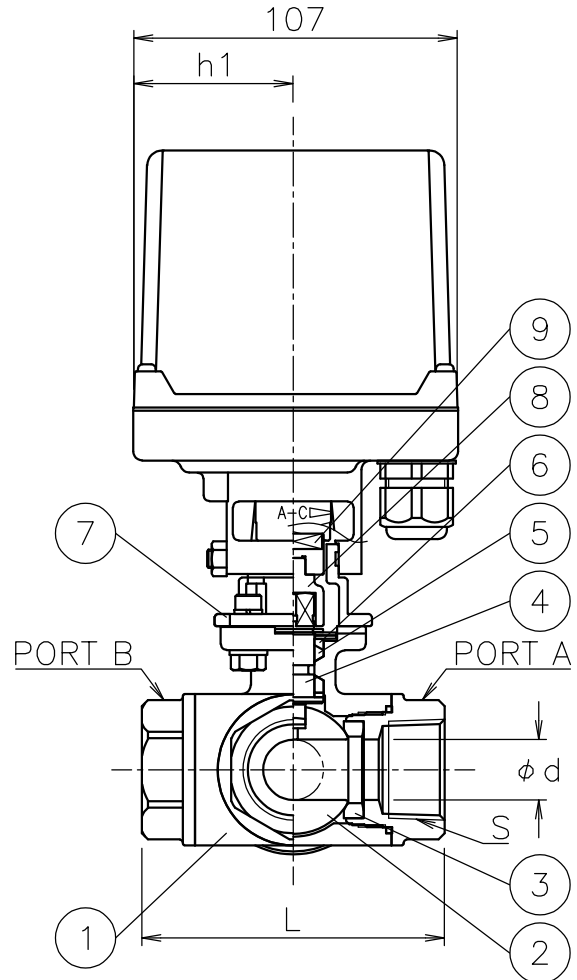
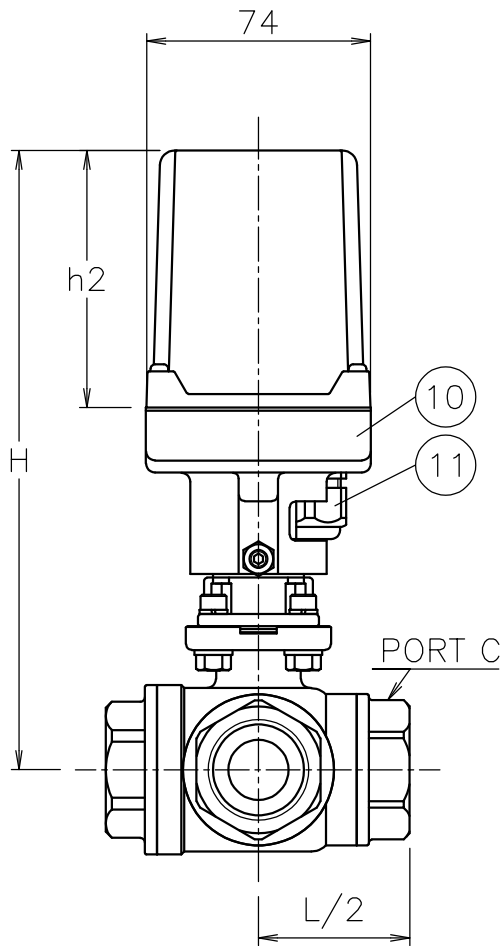


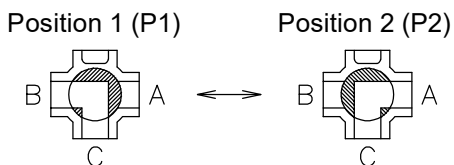
Size [mm]	S	d	L	h1	h2	H	Weight [kg]	Cv P1/P2	Actuator		Sizing code
15	Rc 1/2	13	75	36	58	150	1.8	5	AM1-070	AM2-070	0
20	Rc 3/4	16	85	36	58	154	2.2	10	AM1-070	AM2-070	0
25	Rc 1	20	100	53	85	205	3.4	16	AM1-180	AM2-180	0
32	Rc1 1/4	25	115	53	85	211	4.1	25	AM1-180	AM2-180	0




NOTE

(a) Cable acceptance 5ϕ to 10.5ϕ mm.

Flow paths (Top view of valve)



11	Cable gland	NYLON 6	1	G3/8 (a)
10	Actuator	ADC12/PC Cover	1	
9	Joint	SUS304	1	
8	Joint	SCS13A	1	
7	Bracket	SCS13A	1	
6	Packing	R-PTFE	1	
5	Packing	F-PTFE	1	
4	Stem	SUS316	1	
3	Seat	F-PTFE	4	
2	Ball	SCS14A	1	
1	Body	SCS14A	1	
No	DESCRIPTION	MATERIALS	REQ'D	REMARKS

			APPR'D	H.F	TITLE	Threaded End Rc SL type motorized 3 way ball valve					
			CHK'D	K.Y							
			DESIGN		MODEL	AM1SL*05UUF AM2SL*05UUF					
			DRAWN	S.O							
MARK	DATE	BY	DATE	'21-06-24	SCALE	NON	DWG No.	SL-05UUF-AM4-EN			
REVISIONS			 NIPPON VALVE CONTROLS, INC.								
MV-2890											