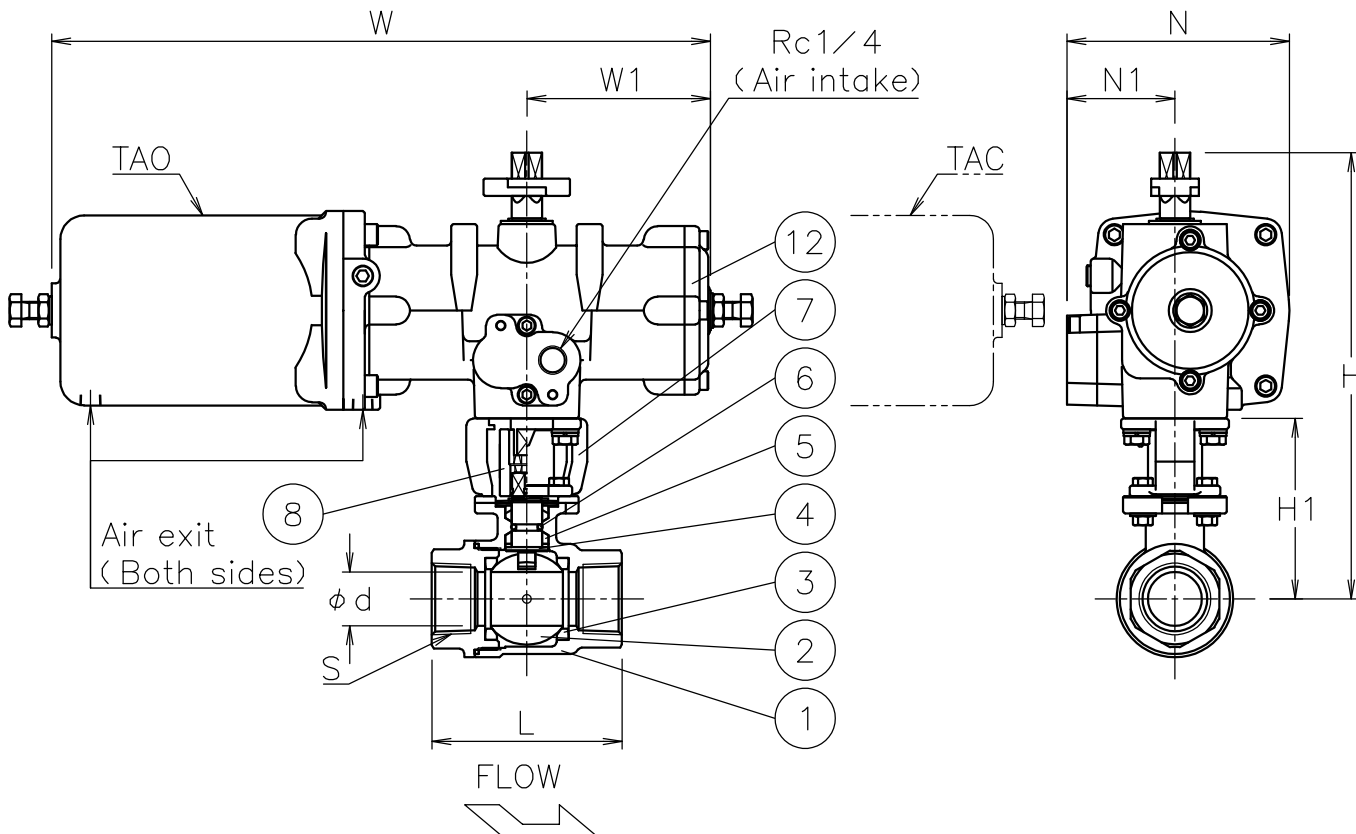


Valve DN	S	d	L	W	W1	N	N1	H1	H	Weight (kg)	Actuator		Sizing code
15 A	Rc 1/2	16	75	249	55	92	46	101	191	3.1	TAO-040	TAC-040	0
20 A	Rc 3/4	20	80	249	55	92	46	105	194	3.2	TAO-040	TAC-040	0
				305	85	103	50	79	202	3.8	TAO-050	TAC-050	2
25 A	Rc 1	25	88	305	85	103	50	84	207	4.2	TAO-050	TAC-050	0
32 A	Rc1 1/4	32	110	305	85	103	50	89	212	4.7	TAO-050	TAC-050	0



NOTE

1. Air supply : 0.4~0.5 Mpa max 0.7 Mpa

2. Actuator operation

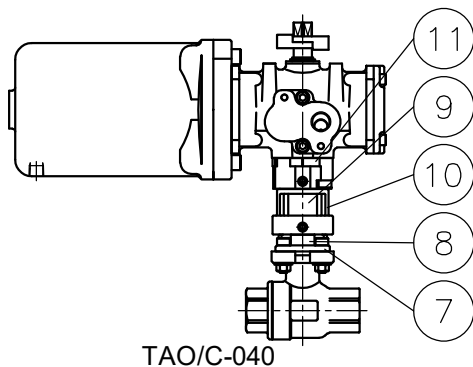
TAO serie • Air to intake port : OPEN Spring return : SHUT

TAC serie • Air to intake port : SHUT Spring return : OPEN

※ This drawing is TAO.

※ Only as for TAC-040,

a cylinder direction becomes the same as TAO.



TAO/C-040

12	Actuator		1	TAO/C
11	Bracket	ZDC2	1	
10	Bracket	SCS13A	1	
9	Joint	SUS303	1	
8	Joint	SUS304/SCS13A	1	
7	Bracket	SCS13A	1	
6	O-ring	Steam resistant FKM	1	
5	Packing	R-PTFE	1	
4	Stem	SUS316	1	
3	Seat	F-PTFE	2	
2	Ball	SCS14A	1	
1	Body	SCS14A	1	
No	DESCRIPTION	MATERIALS	REQ'D	REMARKS

			APPR'D	H.F	Valve DN: 15~32 A			
			CHK'D	K.Y				
			DESIGN					
			DRAWN	P.O	MODEL	TAOSH9*5UUF TACSH9*5UUF		
MARK	DATE	BY	DATE	'16-05-13	SCALE	NON	DWG No.	SH-9*5UUF-TD4-EN
REVISIONS								
MV-2500								



NIPPON VALVE CONTROLS, INC.