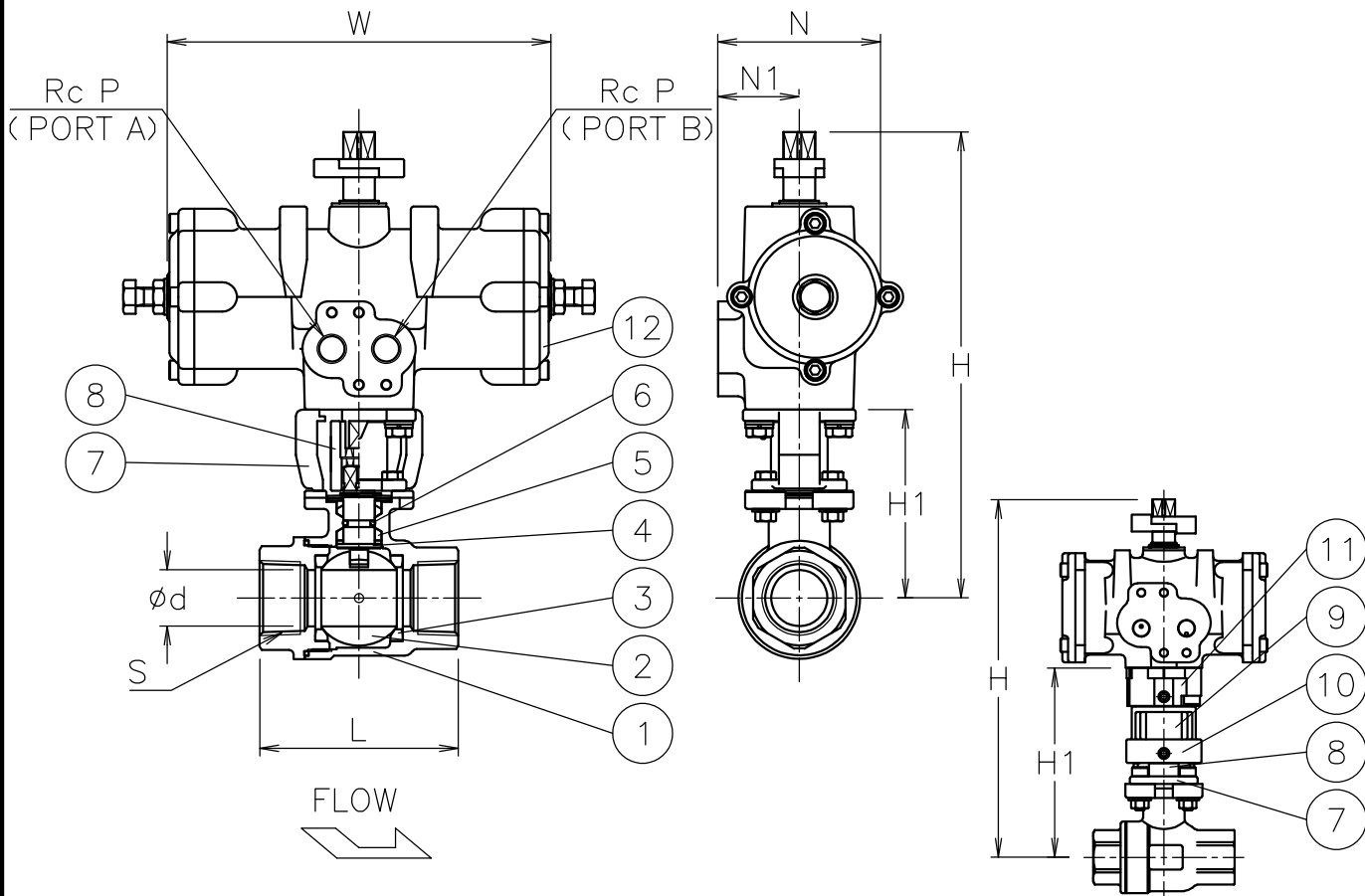


Valve DN	S	d	L	P	W	N	N1	H1	H	Weight (kg)	Actuator	Sizing code
15 A	Rc 1/2	16	75	1/8	110	57	32	101	191	1.7	TAD-040	0
20 A	Rc 3/4	20	80	1/8	110	57	32	105	194	1.8	TAD-040	0
				1/4	170	82	36	79	202	2.1	TAD-050	2
25 A	Rc 1	25	88	1/4	170	82	36	84	207	2.5	TAD-050	0
32 A	Rc1 1/4	32	110	1/4	170	82	36	89	212	3	TAD-050	0




TAD-040

NOTE

1. Air supply : 0.4~0.5 Mpa max 0.7 Mpa
2. Actuator operation
 - Air to port A : SHUT
 - Air to port B : OPEN

12	Actuator		1	TAD
11	Bracket	ZDC2	1	
10	Bracket	SCS13A	1	
9	Joint	SUS303	1	
8	Joint	SUS304/SCS13A	1	
7	Bracket	SCS13A	1	
6	O-ring	Steam resistant FKM	1	
5	Packing	R-PTFE	1	
4	Stem	SUS316	1	
3	Seat	F-PTFE	2	
2	Ball	SCS14A	1	
1	Body	SCS14A	1	
No	DESCRIPTION	MATERIALS	REQ'D	REMARKS

			APPR'D	H.F	Valve DN: 15~32 A							
			CHK'D	K.Y								
			DESIGN									
			DRAWN	P.O	MODEL	TADSH9*5UUF						
MARK	DATE	BY	DATE	'16-05-13	SCALE	NON	DWG No.	SH-9*5UUF-TA5-EN				
REVISIONS			 NIPPON VALVE CONTROLS, INC.									
MV-2500												