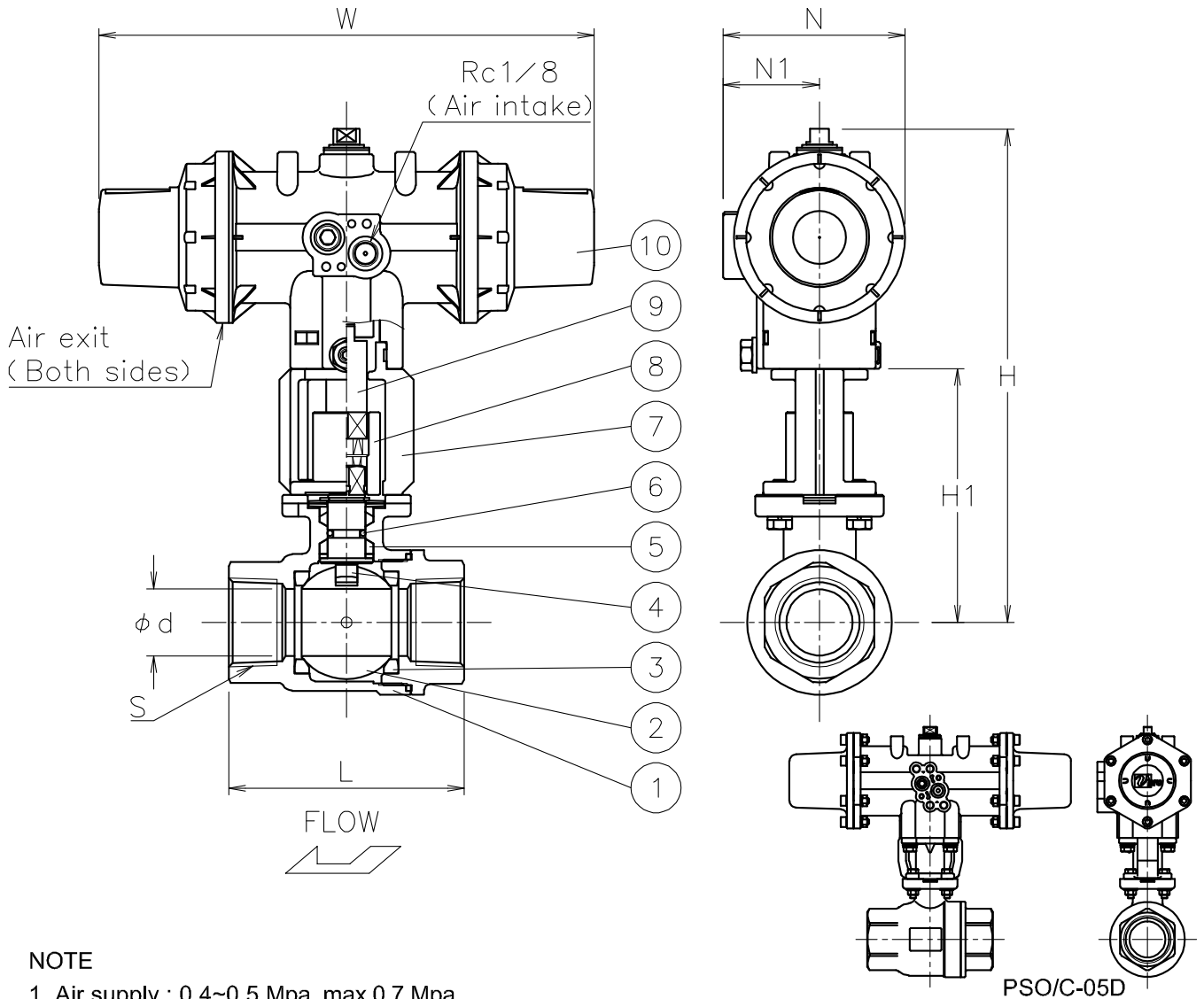


Valve DN	S	d	L	W	N	N1	H1	H	Weight (kg)	Actuator		Sizing code
15 A	Rc 1/2	16	75	185	68	36	87	176	1.3	PSO-04D	PSC-04D	0
20 A	Rc 3/4	20	80	185	68	36	90	180	1.4	PSO-04D	PSC-04D	0
25 A	Rc 1	25	88	185	68	36	95	185	1.8	PSO-04D	PSC-04D	0
32 A	Rc1 1/4	32	110	247	82	44	89	187	2.9	PSO-05D	PSC-05D	0



NOTE

- Air supply : 0.4~0.5 Mpa max 0.7 Mpa
- Actuator operation
 - PSO serie
 - Air to intake port : OPEN
 - Spring return : SHUT
 - PSC serie
 - Air to intake port : SHUT
 - Spring return : OPEN
- Coupling OD must be less than $\phi 14.5$

10	Actuator	PPS body	1	PSO/C
9	Joint	SUS304	1	
8	Joint	SUS304	1	
7	Bracket	SCS13A	1	
6	O-ring	Steam resistant FKM	1	
5	Packing	R-PTFE	1	
4	Stem	SUS316	1	
3	Seat	F-PTFE	2	
2	Ball	SCS14A	1	
1	Body	SCS14A	1	
No	DESCRIPTION	MATERIALS	REQ'D	REMARKS

			APPR'D	K.Y	TITLE	Valve DN: 15~32 A						
			CHK'D	K.Y		Threaded End Rc (single-acting type)						
			DESIGN			SH type pneumatic actuated ball valve						
			DRAWN	T.A	MODEL	PSOSH905UUF		PSCSH905UUF				
MARK	DATE	BY	DATE	'22-12-09	SCALE	NON	DWG No.	SH-905UUF-DA1-EN				
REVISIONS												
MV-2987												