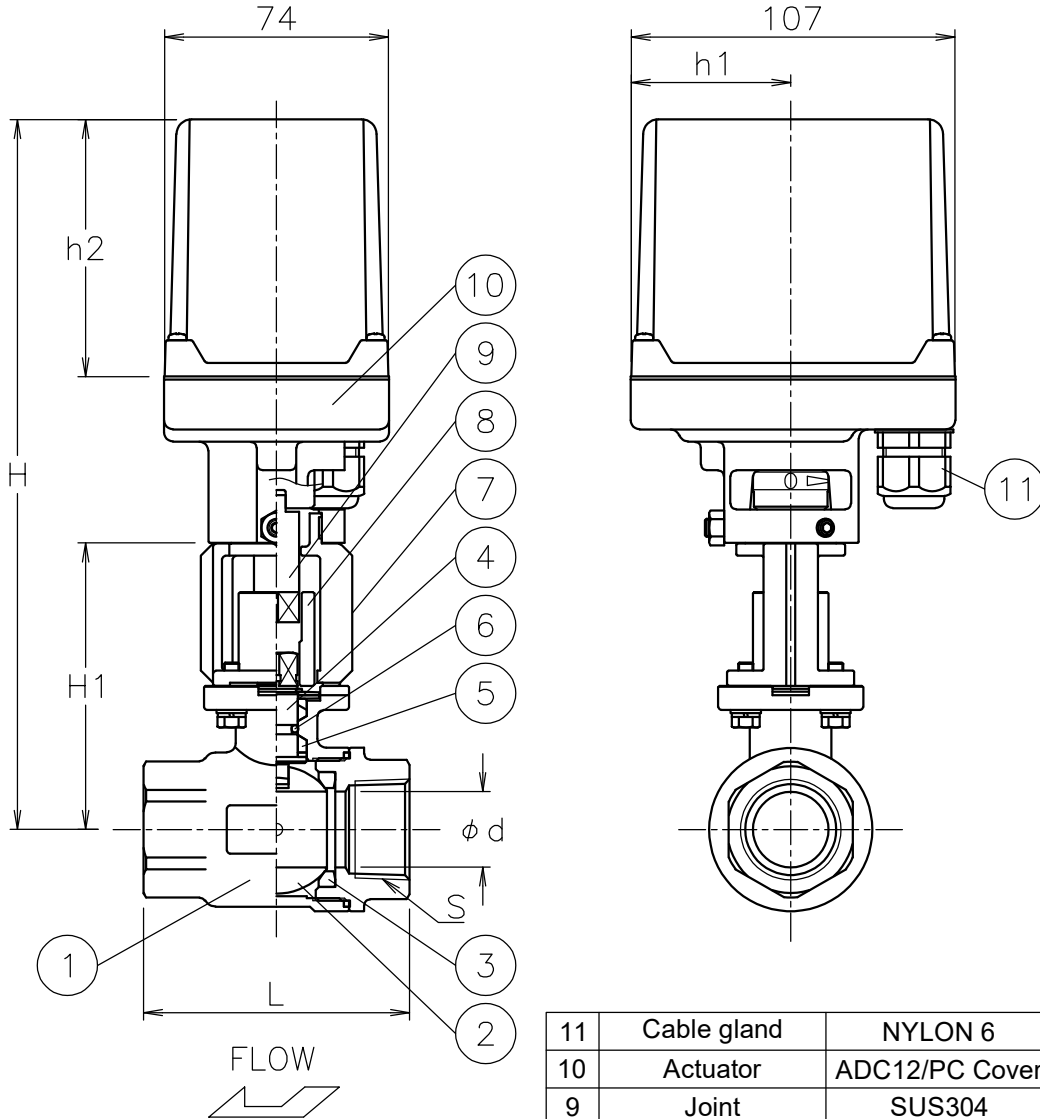



Size [mm]	S	d	L	H1	h1	h2	H	Weight [kg]	Actuator		Sizing code
15	Rc 1/2	16	75	87	36	58	186	1.7	AM1-070	AM2-070	0
20	Rc 3/4	20	80	90	36	58	189	1.8	AM1-070	AM2-070	0
					53	85	230	2.3	AM1-180	AM2-180	2
25	Rc 1	25	88	95	53	85	235	2.7	AM1-180	AM2-180	0
32	Rc1 1/4	32	110	101	53	85	241	3.2	AM1-180	AM2-180	0



NOTE
(a) Cable acceptance 5φ to 10.5φ mm.

11	Cable gland	NYLON 6	1	G3/8 (a)
10	Actuator	ADC12/PC Cover	1	
9	Joint	SUS304	1	
8	Joint	SUS304	1	
7	Bracket	SCS13A	1	
6	O-ring	Steam resistant FKM	1	
5	Packing	R-PTFE	1	
4	Stem	SUS316	1	
3	Seat	F-PTFE	2	
2	Ball	SCS14A	1	
1	Body	SCS14A	1	
No	DESCRIPTION	MATERIALS	REQ'D	REMARKS

			APPR'D	H.F	TITLE	Threaded End Rc SH type motorized ball valve				
			CHK'D	K.Y						
			DESIGN		MODEL	AM1SH*05UUF AM2SH*05UUF				
			DRAWN	S.O						
MARK	DATE	BY	DATE	'21-06-30	SCALE	NON	DWG No.	SH-05UUF-AM6-EN		
REVISIONS			 NIPPON VALVE CONTROLS, INC.							
MV-2890										