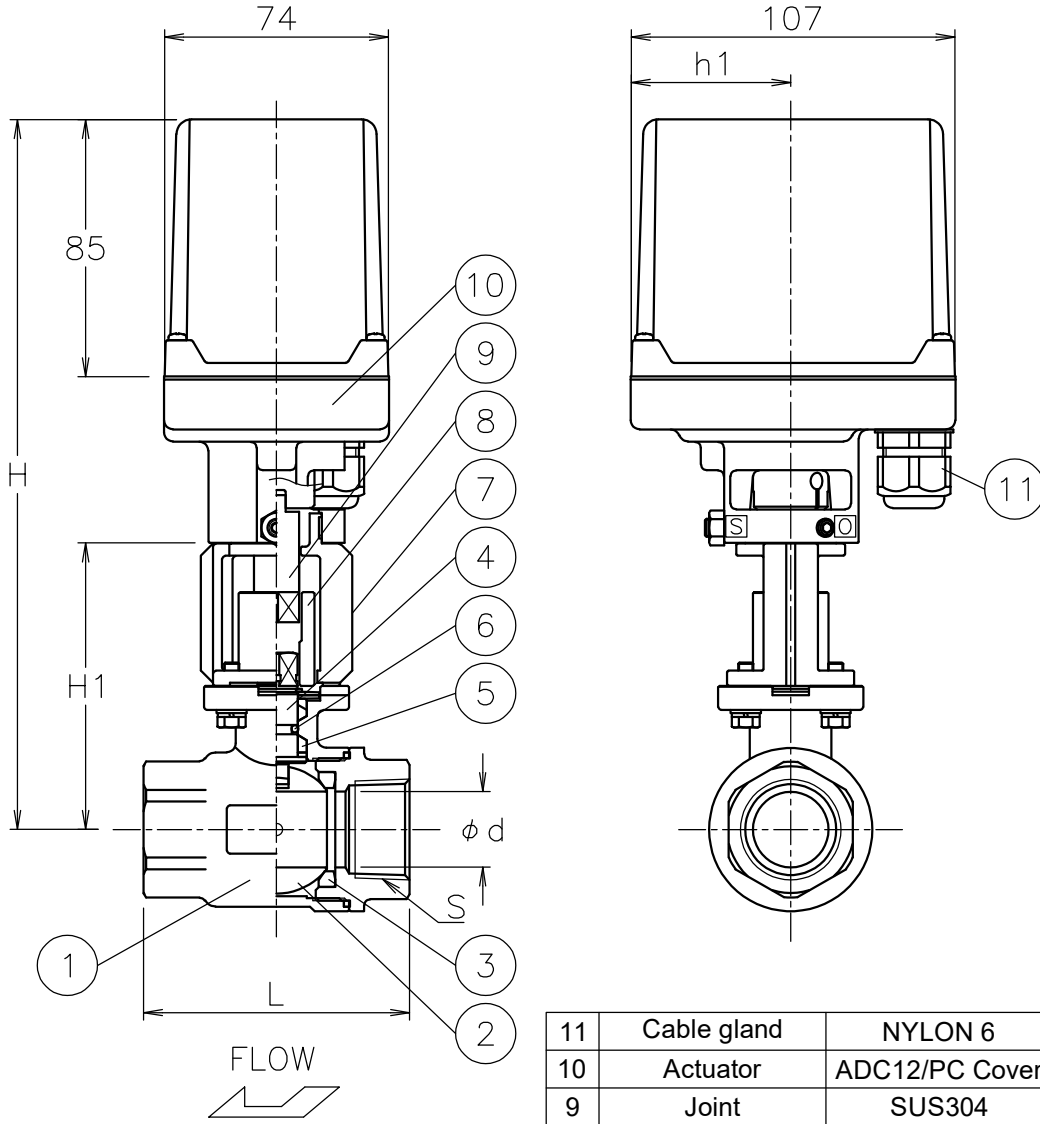



Size [mm]	S	d	L	H1	h1	H	Weight [kg]		Actuator		Sizing code
							AH1	DM*	AH1-070	DM*-070	
15	Rc 1/2	16	75	87	36	213	2	2	AH1-070	DM*-070	0
20	Rc 3/4	20	80	90	36	216	2.1	2.1	AH1-070	DM*-070	0
25	Rc 1	25	88	95	53	235	2.9	2.7	AH1-180	DM*-180	0
32	Rc1 1/4	32	110	101	53	241	3.4	3.2	AH1-180	DM*-180	0



NOTE
(a) Cable acceptance 5φ to 10.5φ mm.

11	Cable gland	NYLON 6	1	G3/8 (a)
10	Actuator	ADC12/PC Cover	1	
9	Joint	SUS304	1	
8	Joint	SUS304	1	
7	Bracket	SCS13A	1	
6	O-ring	Steam resistant FKM	1	
5	Packing	R-PTFE	1	
4	Stem	SUS316	1	
3	Seat	F-PTFE	2	
2	Ball	SCS14A	1	
1	Body	SCS14A	1	
No	DESCRIPTION	MATERIALS	REQ'D	REMARKS

			APPR'D	H.F	TITLE	Threaded End Rc SH type motorized ball valve				
			CHK'D	K.Y		MODEL	AH1SH*05UUF DM0SH005UUF DM2SH005UUF			
			DESIGN		SCALE		NON	DWG No.	SH-05UUF-CM7-EN	
MARK	DATE	BY	DATE	'21-06-30						
REVISIONS			 NIPPON VALVE CONTROLS, INC.							
MV-2890										