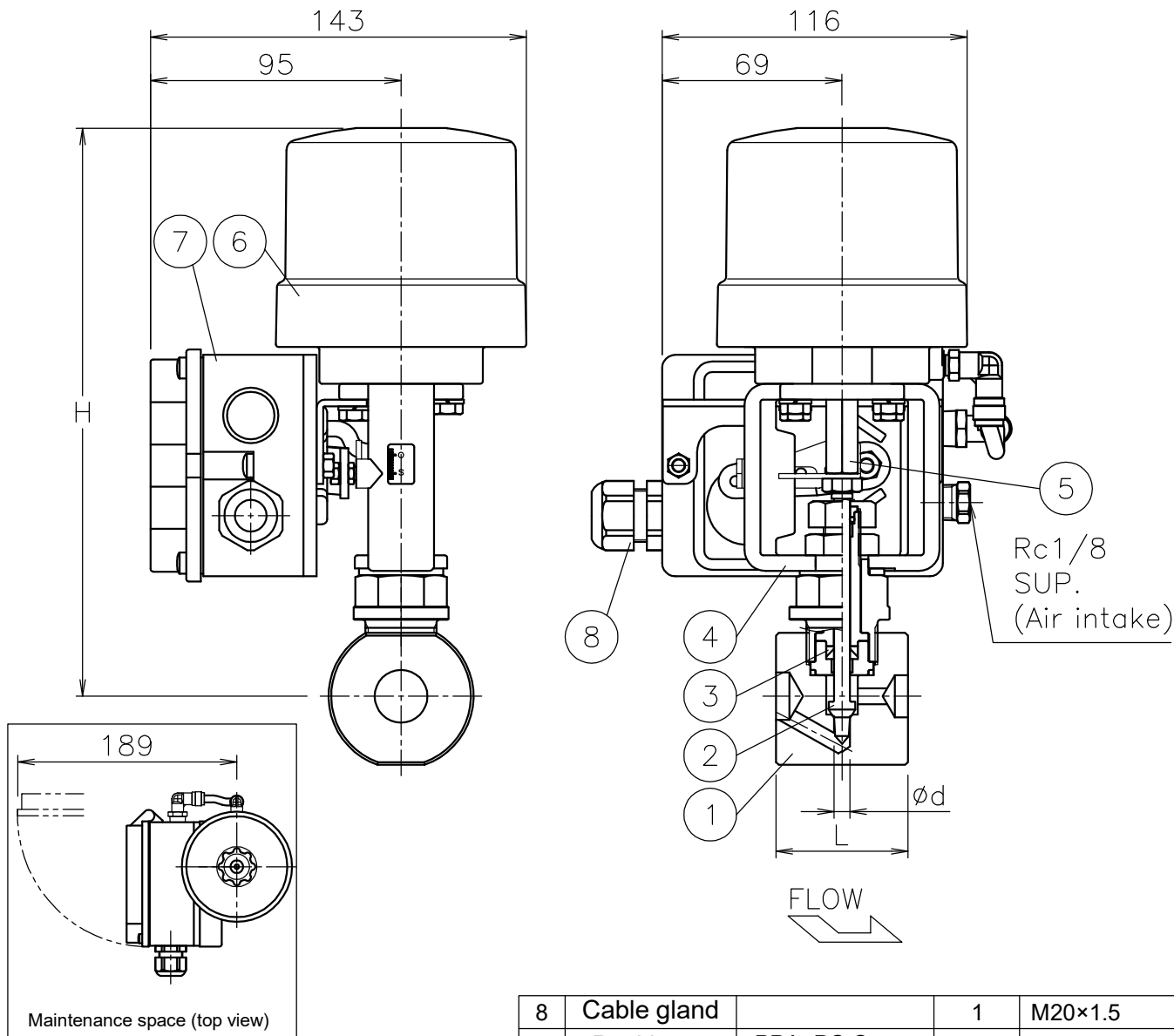


Size [mm]	d	L	H	Weight [kg]	Cv	Actuator	Sizing code
15	6	50	216	1.9	0.05 (S)	PLO-030	0
					0.13 (M)		
	0.34 (L)						
	0.8 (X)				PLO-070		
8	1.4 (H)						



**NOTE**

- 1) Air supply: 0.4 to 0.5Mpa.
- 2) Actuator operation C type 20mA: OPEN.  
D type 20mA: SHUT.
- 3) Cable gland: for 6φ to 12φ cable.

8	Cable gland		1	M20×1.5
7	Positioner	PPA, PC Cover	1	EX
6	Actuator	PPS body	1	PLO
5	Shaft	SUS304	1	
4	Bracket	SUS304/SCS13A	1	
3	Packing	PTFE	1	
2	Trim	PEEK	1	
1	Body	PEEK	1	
No	DESCRIPTION	MATERIALS	REQ'D	REMARKS

			APPR'D	H.F	TITLE	J10K Flanged-end (Wafer type) (single-acting type) NP type pneumatic actuated needle valve		
			CHK'D	K.Y				
			DESIGN		MODEL	PLONP901KKT ( ) 015-EX		
			DRAWN	S.O				
MARK	DATE	BY	DATE	'18-11-05	SCALE	NON	DWG No.	NP-901KKT-EX-PO2-EN
REVISIONS				<b>NIPPON VALVE CONTROLS, INC.</b>				
MV-2738								