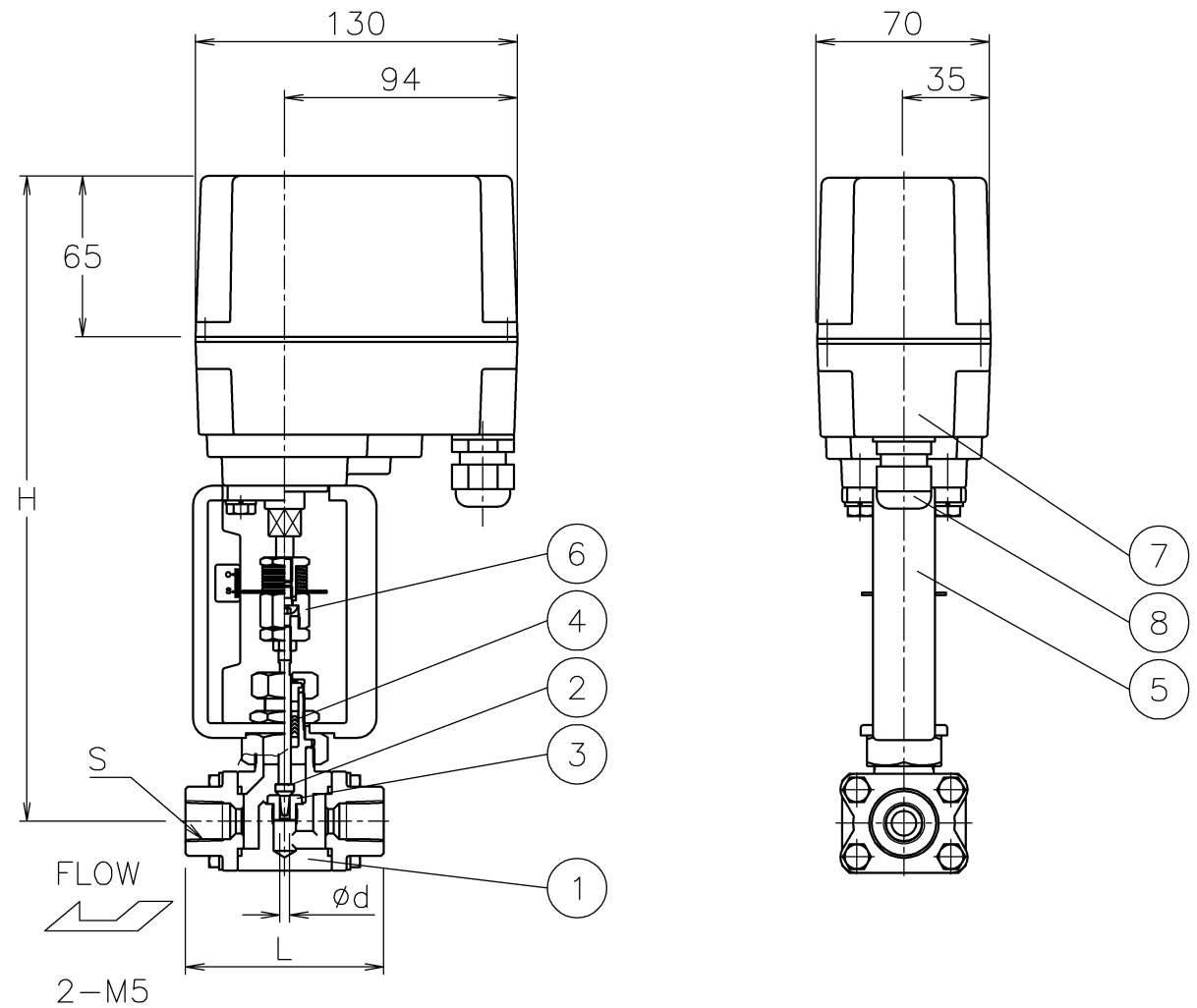


Valve DN	S	d	L	H	Weight (kg)	Cv		Actuator	Sizing code
10 A	Rc 3/8	4	80	261	3	S	0.05	LAX-070	0
						M	0.13		
		L				0.34			
		H				0.8			
15 A	Rc 1/2	4	80	261	3	S	0.05	LAX-070	0
						M	0.13		
		L				0.34			
		H				0.8			



NOTE
(a) Cable ground ($\phi 5$ to 10.5 cable)

8	Cable gland	NYLON 6	1	G 3/8 (a)
7	Actuator	Aluminum alloy die-cast cover	1	
6	Seal-spring	SUS304	1	
5	Bracket	SCS13A	1	
4	Packing	PTFE	1	
3	Seat	SUS316	1	
2	Trim	SUS316	1	HCr PLTD
1	Body	SUS316	1	
No	DESCRIPTION	MATERIALS	REQ'D	REMARKS

			APPR'D	H.F	TITLE	Threaded End Rc Valve DN: 10~15 A			
			CHK'D	K.Y		NH type electric needle valve			
			DESIGN		MODEL	LAXNH*05UUT*			
			DRAWN	P.O					
MARK	DATE	BY	DATE	'08-02-06	SCALE	NON	DWG No.	NH-05UUT-LA1-E	
REVISIONS									
MV-2168									

NIPPON VALVE CONTROLS, INC.