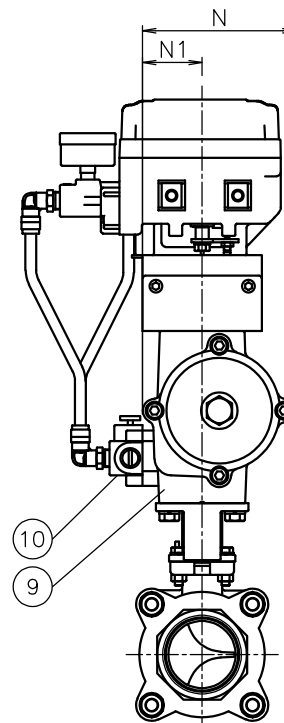
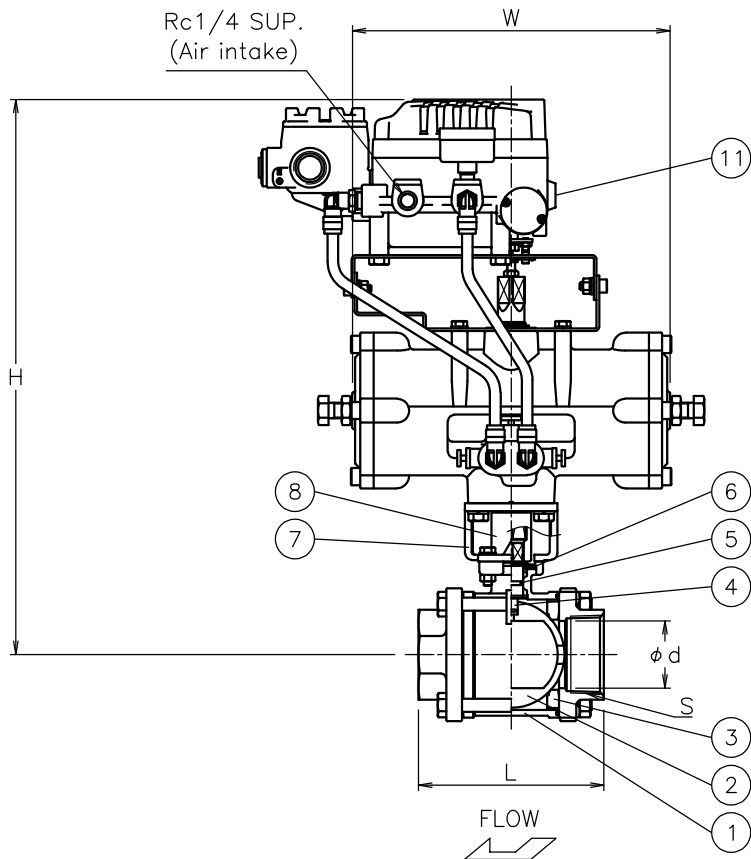


TADMV905UUP-025-EP
 TADMV905UUP-032-EP
 TADMV905UUP-040-EP
 TADMV905UUP-050-EP

| Size [mm] | S | d | L | W | N | N1 | H | Weight [kg] | Cv | Actuator | Sizing code |
|-----------|---------|------|-----|-----|-----|----|-----|-------------|-----|----------|-------------|
| R10 | Rc 3/8 | (13) | 60 | 170 | 82 | 36 | 332 | 6.5 | 1.3 | TAD-050 | 2 |
| R15 | Rc 1/2 | (15) | 75 | 170 | 82 | 36 | 332 | 6.5 | 1.3 | TAD-050 | 2 |
| 15 | Rc 1/2 | (15) | 75 | 170 | 82 | 36 | 332 | 6.5 | 4 | TAD-050 | 2 |
| 20 | Rc 3/4 | (20) | 80 | 170 | 82 | 36 | 336 | 6.7 | 7.5 | TAD-050 | 2 |
| 25 | Rc 1 | (25) | 90 | 170 | 82 | 36 | 307 | 6.8 | 12 | TAD-050 | 0 |
| | | | | 204 | 95 | 38 | 356 | 7.9 | | TAD-063 | 2 |
| 32 | Rc1 1/4 | (32) | 110 | 170 | 82 | 36 | 312 | 7.6 | 20 | TAD-050 | 0 |
| | | | | 204 | 95 | 38 | 361 | 8.7 | | TAD-063 | 2 |
| 40 | Rc1 1/2 | (38) | 120 | 204 | 95 | 38 | 336 | 9 | 31 | TAD-063 | 0 |
| | | | | 240 | 116 | 45 | 411 | 11 | | TAD-080 | 2 |
| 50 | Rc 2 | (50) | 140 | 204 | 95 | 38 | 345 | 11 | 48 | TAD-063 | 0 |
| | | | | 240 | 116 | 45 | 420 | 13 | | TAD-080 | 2 |



NOTE

- 1) Air supply: 0.4 to 0.5 Mpa. Max 0.7 Mpa.
- 2) Actuator operation

| Type | Input signal | |
|------|--------------|-------|
| | 4 mA | 20 mA |
| A | SHUT | OPEN |
| B | OPEN | SHUT |

The drawing shows control pattern: Type A

| No | DESCRIPTION | MATERIALS | REQ'D | REMARKS |
|----|-------------------------------------|---------------|-------|---------|
| 11 | Electric-pneumatic positioner | | 1 | EP |
| 10 | Speed controller with by-pass valve | | 1 | |
| 9 | Actuator | | 1 | TAD |
| 8 | Joint | SUS304 | 1 | |
| 7 | Bracket | SCS13A | 1 | |
| 6 | Packing | R-PTFE | 1 | |
| 5 | O-ring | FKM | 1 | |
| 4 | Stem | SUS316 | 1 | |
| 3 | Seat | R-PTFE | 2 | |
| 2 | Ball | SCS14A/SUS316 | 1 | |
| 1 | Body | SCS14A | 1 | |

| | | | | | | | | | | | |
|-----------|------|----|--------|-----------|-------|---|----------------|---------|---------------------|--|--|
| | | | APPR'D | H.F | TITLE | Threaded End Rc (double-acting type) MV type pneumatic actuated 3 piece ball valve | | | | | |
| | | | CHK'D | K.Y | | MODEL | TADMV9*5UUP-EP | | | | |
| | | | DESIGN | | DRAWN | | S.O | | | | |
| MARK | DATE | BY | DATE | '22-12-13 | | SCALE | NON | DWG No. | MV-9*5UUP-EP-TA8-EN | | |
| REVISIONS | | | | | | | | | | | |
| MV-2988 | | | | | | | | | | | |