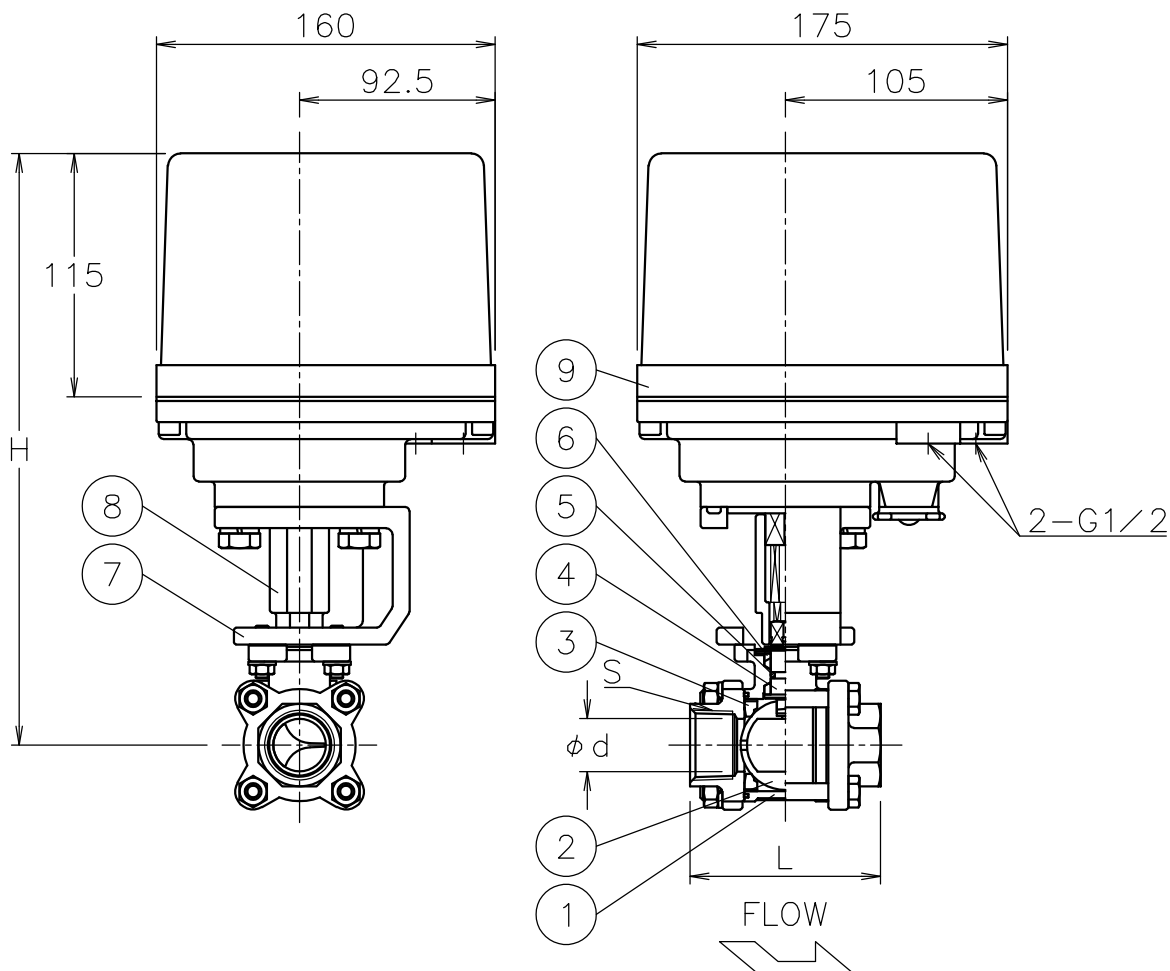


Valve DN	S	d	L	H	Weight (kg)	Cv	Actuator			Sizing code
R10 A	Rc 3/8	(13)	60	271	7	1.3	PHX-300	PHR-300	PDX-300	0
R15 A	Rc 1/2	(15)	75	271	7	1.3	PHX-300	PHR-300	PDX-300	0
15 A	Rc 1/2	(15)	75	271	7	4	PHX-300	PHR-300	PDX-300	0
20 A	Rc 3/4	(20)	80	275	7.2	7.5	PHX-300	PHR-300	PDX-300	0
25 A	Rc 1	(25)	90	280	7.5	12	PHX-300	PHR-300	PDX-300	0
					7.7		PHX-700	PHR-700	PDX-700	2
32 A	Rc1 1/4	(32)	110	285	8.3	20	PHX-300	PHR-300	PDX-300	0
40 A	Rc1 1/2	(38)	120	294	9	31	PHX-300	PHR-300	PDX-300	0
50 A	Rc 2	(50)	140	303	11	48	PHX-700	PHR-700	PDX-700	0




**NOTE**

**Attachment**

- Cable gland (nylon), G1/2, for  $\phi 6 \sim 12$  cable
- Plug

9	Actuator	Aluminum alloy die-cast cover	1	
8	Joint	SCS13A	1	
7	Bracket	SCS13A	1	
6	Packing	R-PTFE	1	
5	O-ring	FKM	1	
4	Stem	SUS316	1	
3	Seat	R-PTFE	2	
2	Ball	SCS14A/SUS316	1	
1	Body	SCS14A	1	
No	DESCRIPTION	MATERIALS	REQ'D	REMARKS

			APPR'D	H.F	TITLE	Threaded End Rc Valve DN: R10~50 A MV type electric actuated 3 piece control valve				
			CHK'D	K.Y						
			DESIGN		MODEL	PHXMV**5UUP PHRMV**5UUP PDXMV**5UUP				
			DRAWN	P.O						
MARK	DATE	BY	DATE	'16-06-13	SCALE	NON	DWG No.	MV-*5UUP-PX13a-EN		
REVISIONS			 <b>NIPPON VALVE CONTROLS, INC.</b>							
SP-0632										