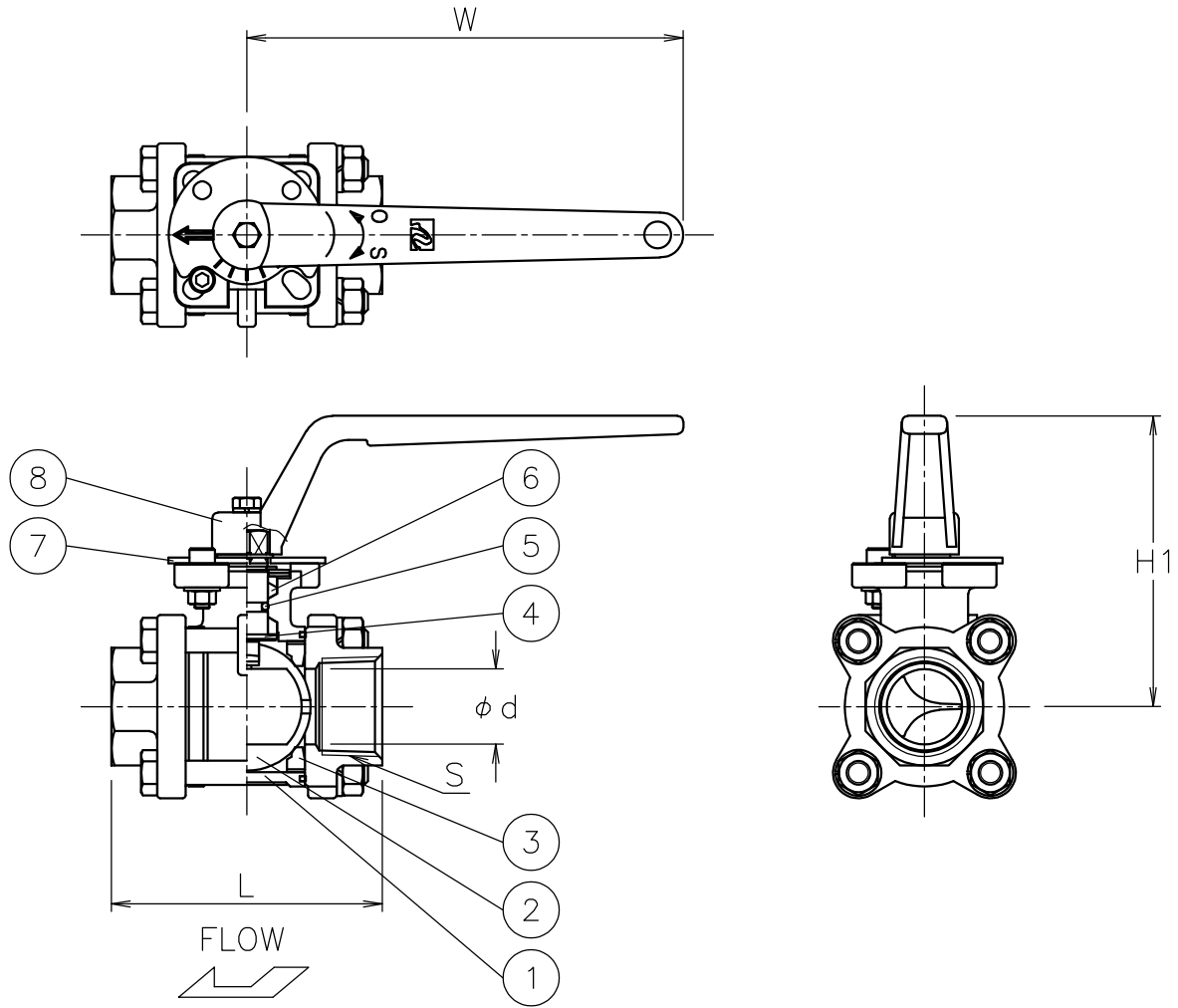



Size (mm)	S	d	L	W	H1	Weight (kg)	Cv	Actuator
R10 A	Rc 3/8	(13)	60	115	78	0.8	1.3	Lever
R15 A	Rc 1/2	(15)	75	115	78	0.8	1.3	Lever
15 A	Rc 1/2	(15)	75	115	78	0.8	4	Lever
20 A	Rc 3/4	(20)	80	115	82	0.9	7.5	Lever
25 A	Rc 1	(25)	90	145	97	1.4	12	Lever
32 A	Rc1 1/4	(32)	110	145	102	2.1	20	Lever
40 A	Rc1 1/2	(38)	120	220	118	2.9	31	Lever
50 A	Rc 2	(50)	140	220	127	4.7	48	Lever



NOTE

(a) Lever handle is removed and shipped.

8	Lever handle	SCS13A	1	(a)
7	Position indicator	SUS304	1	
6	Packing	R-PTFE	1	
5	O-ring	FKM	1	
4	Stem	SUS316	1	
3	Seat	R-PTFE	2	
2	Ball	SCS14A/SUS316	1	
1	Body	SCS14A	1	
No	DESCRIPTION	MATERIALS	REQ'D	REMARKS

			APPR'D	H.F	TITLE	Threaded End Rc MV type 3 piece ball valve		
			CHK'D	K.Y				
			DESIGN		MODEL	MAXMVL-5UUP		
			DRAWN	P.O				
MARK	DATE	BY	DATE	'16-06-13	SCALE	NON	DWG No.	MV-5UUP-L-MA6-EN
REVISIONS			 NIPPON VALVE CONTROLS, INC.					
MV-2501								